

EvacU^{Elite} Multi-Purpose Output Card

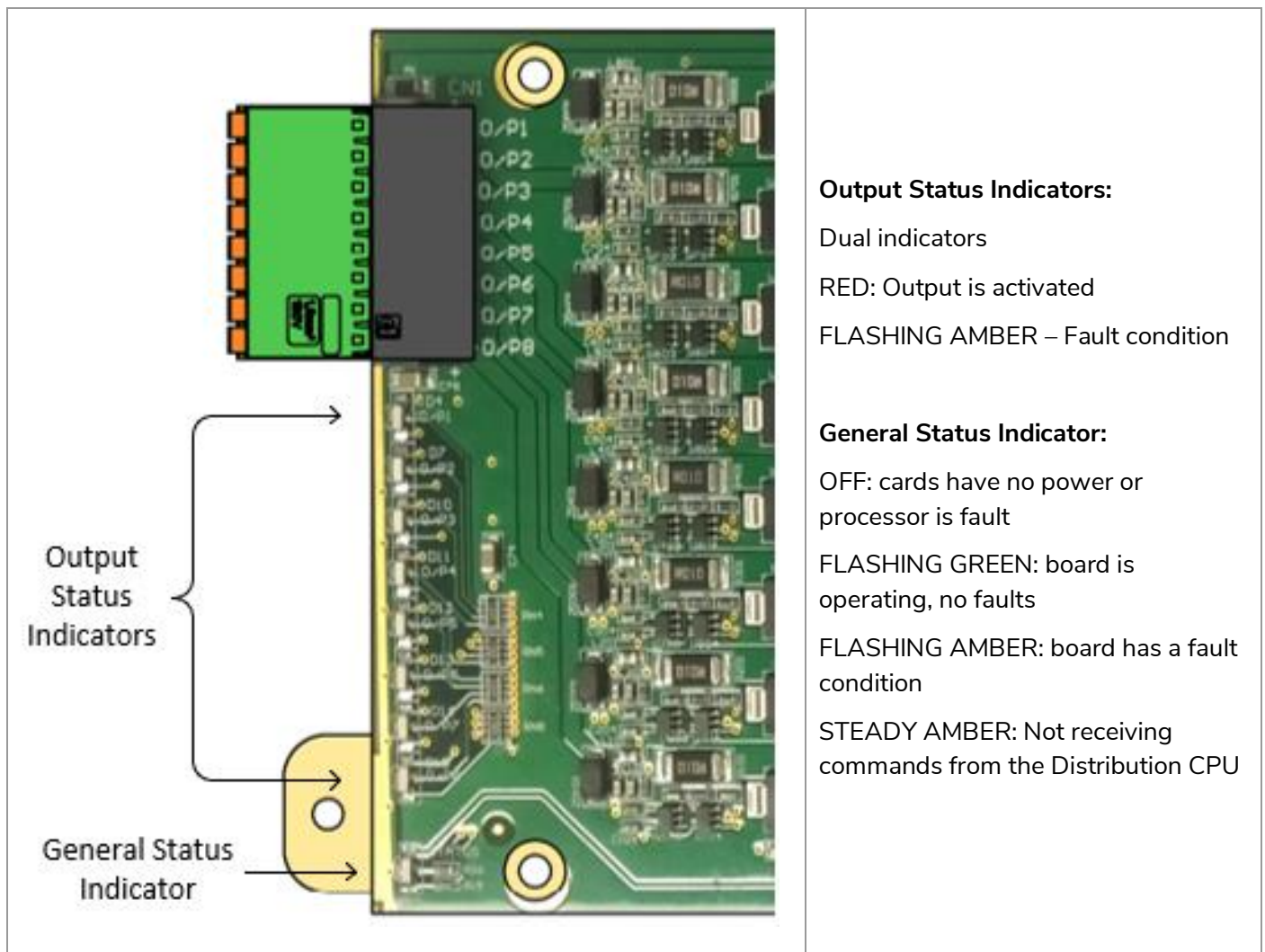
1. Description

The Multi-Purpose Output Card (MOC) occupies 1 slot in the EvacU^{Elite} Universal Rack.

Up to 6 x MOC can be fitted and configured into **each Universal Rack** providing up to 48 outputs. The MOC provides eight single ended supervised outputs, suitable for driving alarm warning devices such as strobes (VADs) or vibrating pads.

Each pair of outputs can be configured as a reverse polarity output, suitable for driving Ampac Alert/Evac Strobes typically used in older AS 2220 systems.

The MOC has one status indicator per output (8) and a general status indicator. See below:



EvacU^{Elite} Multi-Purpose Output Card



Single End O/P x 8 Connections

OUTPUT 1 (0VDC)	1	2	OUTPUT 1 (+VE)
OUTPUT 2 (0VDC)	3	4	OUTPUT 2 (+VE)
OUTPUT 3 (0VDC)	5	6	OUTPUT 3 (+VE)
OUTPUT 4 (0VDC)	7	8	OUTPUT 4 (+VE)
OUTPUT 5 (0VDC)	9	10	OUTPUT 5 (+VE)
OUTPUT 6 (0VDC)	11	12	OUTPUT 6 (+VE)
OUTPUT 7 (0VDC)	13	14	OUTPUT 7 (+VE)
OUTPUT 8 (0VDC)	15	16	OUTPUT 8 (+VE)

Reverse Voltage x 4 O/P Connections

When 2 wire voltage reversal output is required (Configured in the PC Programming App), The +VE output is two consecutive outputs are used. The 0 V DC outputs are unused.

NOT USED	1	2	OUTPUT 1 (+VE)
NOT USED	3	4	OUTPUT 1 (-VE)
NOT USED	5	6	OUTPUT 2 (+VE)
NOT USED	7	8	OUTPUT 2 (-VE)
NOT USED	9	10	OUTPUT 3 (+VE)
NOT USED	11	12	OUTPUT 3 (-VE)
NOT USED	13	14	OUTPUT 4 (+VE)
NOT USED	15	16	OUTPUT 4 (-VE)

EvacU^{Elite} Multi-Purpose Output Card

2. Specification

Parameter	Detail
Outputs	8 Individual / 4 Paired (Voltage Reversal) Outputs (Configurable)
Voltage Output	Can be configured (per board) between 12 V and 28 V DC
Rating	2 Amps per output, total of 6 Amps per card
Monitoring	Yes, selectable EOL 3K3Ω, 4K7Ω and 10KΩ (Configurable)
Output Voltage Range	12 to 28 V DC (Configurable)
Resolution	1 V DC
Accuracy	<3%
Maximum Output Ripple	2% pk to pk
No of Rack Slots	1
Max Cable Size	1.5mm ² Refer below
Current Consumption	0.030 Amps (Quiescent) 6.85 Amps (Fully Loaded)

Field Cabling (Load and Distance):

No. of Devices	1.0mm ² Field Wiring	1.5mm ²
10	444m	620m
20	222m	310m
30	148m	207m
40	111m	155m

3. Installation

- Turn power OFF to the Universal Rack. Use the **EWCIE Power switch** on the Primary PSU.
- Observing anti-static precautions, install the card in the panel.
- Ensure the slot used in the panel is configured as MOC.
- The choice of 8 single end or 4 reverse voltage O/P (and voltage output) requires configuration.
- Connect the field Output cables into the appropriate connectors.
- Fit all the cards into the universal rack slots correctly.
- Fit the rack cover plates which prevent dislodgement of fitted cards.
- Turn power ON to the Universal Rack. Use the **EWCIE Power switch** on the Primary PSU.
- Test the functionality.

For Item C & D Please refer to the **Programming Manual** MAN3142

EvacU^{Elite} Multi-Purpose Output Card

Example of Single End O/P Cabling Connection to VADs:

