

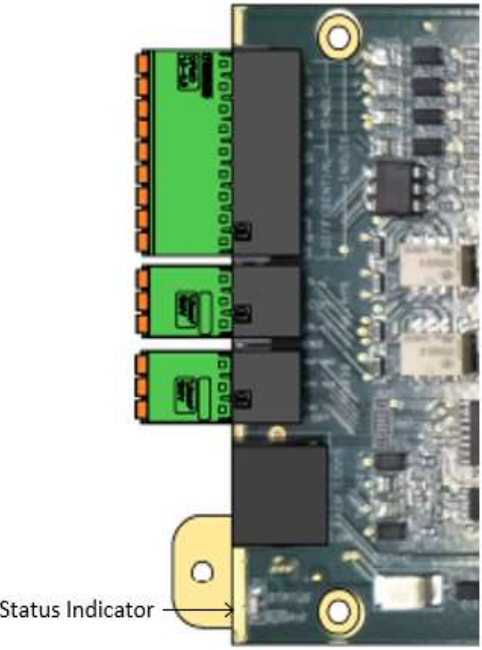
EvacU^{Elite} Multi-Purpose Interface Card

1. Description

The Multi-Purpose Interface Card (MIC) occupies 1 slot in the EvacU^{Elite} Universal Rack.

Up to 16 x MICs can be fitted and configured into each Universal Rack providing up to 128 inputs and 32 outputs.

The MIC provides eight supervised inputs, two relay outputs and a high-level interface to the Ampac FireFinder^{PLUS} Add On Bus.

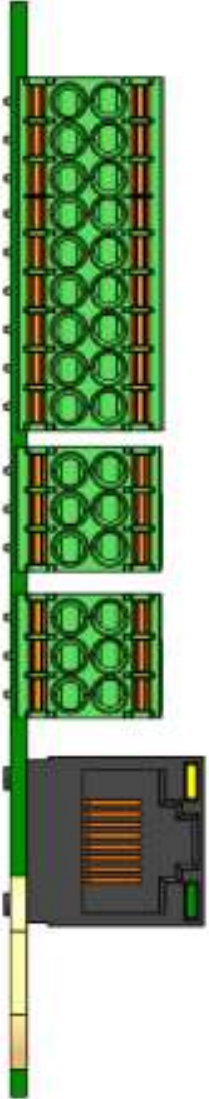
	<p>MIC Status Indicator</p> <p>OFF: cards have no power or processor is fault</p> <p>FLASHING GREEN: board is operating, no faults</p> <p>FLASHING AMBER: board has a fault condition</p> <p>STEADY AMBER: Not receiving commands from the Distribution CPU</p>
--	--



EvacU^{Elite} Multi-Purpose Interface Card

2. Connections

Input 1, 2, 3 & 4	Single ended inputs, common floating reference with selectable EOL
Input 5, 6 & 7	Differential inputs, individual floating reference with selectable EOL
Input 8	Differential input, with floating reference with fault feedback (user selectable resistance)
Relay 1 & 2	Single pole, double throw (COM, NO, NC)
Serial	RS232C serial port, with CTS and RTS available. Currently unused
FACP	Add On bus connection to the Ampac FireFinder ^{PLUS}



The cable terminations are **push in** connector type (1.5mm maximum)

To release a cable **press down** the yellow LHS and RHS release

INPUT 1 (CREF)	1	2	INPUT 1
INPUT 2 (CREF)	3	4	INPUT 2
INPUT 3 (CREF)	5	6	INPUT 3
INPUT 4 (CREF)	7	8	INPUT 4
INPUT 5 (-VE)	9	10	INPUT 5 (+VE)
INPUT 6 (-VE)	11	12	INPUT 6 (+VE)
INPUT 7 (-VE)	13	14	INPUT 7 (+VE)
INPUT 8 (-VE)	15	16	FAULT F/B RESISTOR
INPUT 8 (+VE)	17	18	

RELAY 2 (NC)	1	2	RELAY 1 (NC)
RELAY 2 (COM)	3	4	RELAY 1 (COM)
RELAY 2 (NO)	5	6	RELAY 1 (NO)

GROUND	1	2	GROUND
RS 232 CTS	3	4	RS232 RTS
RS 232 RX	5	6	RS 232 TX

Interface to Ampac FireFinder^{PLUS} Add On bus

EvacU^{Elite} Multi-Purpose Interface Card

3. Installation

- a. Turn power OFF to the Universal Rack. Use the **EWCIE Power Switch** on the Primary PSU.
- b. Observing anti-static precautions, install the card in the panel.
- c. Ensure that the slot used in the panel is configured as MIC.
- d. If HLI to FF+ is used this requires configuration.
- e. Connect the field I/O cables into the appropriate connectors.
- f. Fit all the cards into the universal rack slots correctly.
- g. Fit the rack cover plates which prevent dislodgement of fitted cards.
- h. Turn power ON to the Universal Rack. Use the **EWCIE Power Switch** on the Primary PSU.
- i. Test the functionality.

For Item C & D Please refer to the **Programming Manual** MAN3142

Parameter	Detail
No. of Inputs	8
No. of Outputs	2
Serial Port	Not configurable
FDCIE Interface	Suitable only for Ampac FireFinder ^{PLUS} , RJ45 connector, CAT5/6 wiring, max length 3m
Isolated Differential Input with Fault Feedback	1 available, with 10KΩ EOL supervision, floating reference (30VDC max) with user selectable resistive fault feedback
Isolated Differential Inputs	3 available, with 10KΩ EOL monitoring, individual floating reference (30VDC max)
Isolated Single Ended Inputs	4 available, with 10KΩ EOL monitoring, common floating reference (30VDC max)
Relay Outputs (VFC)	2 available, max voltage 48VDC/30VAC, max current 1amp @ 30VDC, 0.5amp @ 30VAC
No. of Rack Slots Required	1
Max Input Voltage (for 8 x inputs)	30VDC
Max Cable Size (inputs, relays)	1.5mm ²
Current Consumption	0.039 amps (quiescent)

EvacU^{Elite} Multi-Purpose Interface Card

