

EvacU^{Elite} Quad Radial EIS Line Card

1. Description

The Quad Radial EIS Line Card (ILC) occupies 1 slot in the EvacU^{Elite} Universal Rack. Each ILC supports a maximum of 4 Radial Warden Handsets.

Each Warden Handset circuit requires a dedicated 2 core wired directly between the panel and each Warden Handset respectively.

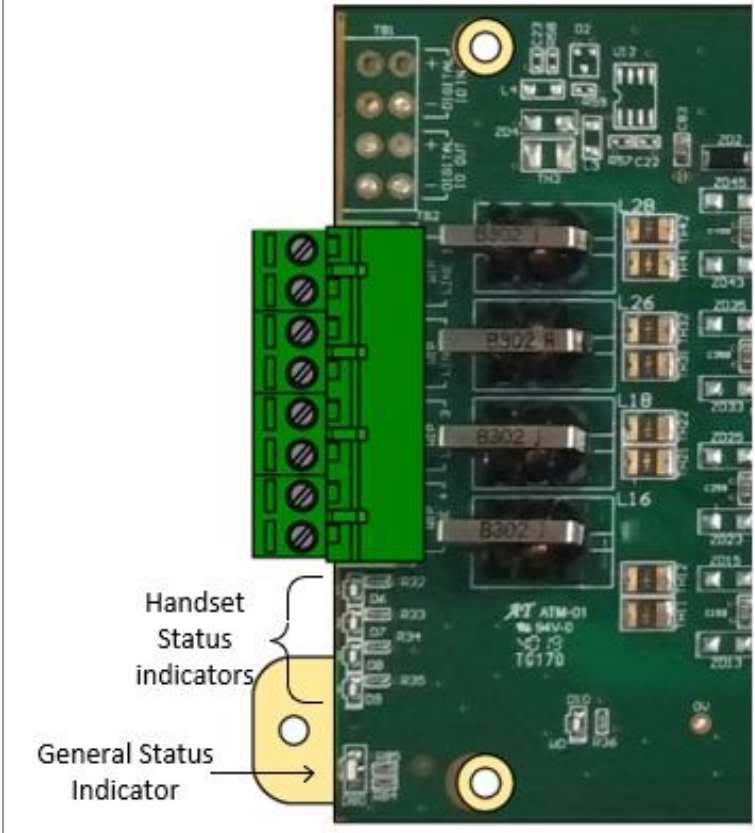
The maximum size cable termination is 1.5mm.

Multiple ILCs can be fitted (usually done in clusters) and configured into the Universal Rack. This provides scalable system architecture and efficient use of rack space to accommodate the smallest or largest of Warden Handset system requirements.

For every 48 Warden Handsets connected to the system there needs to be one **GUI screen** assigned in the configuration to provide sufficient EICIE (controls and indications) for every EIS zone fitted.

The ILC should be used in conjunction with Radial Warden Handset Item No **ASS63WIPS**. See page 4 & 5 for connection.

The ILC can also be used in conjunction with LILC cards (Dual Loop Warden Handset type).



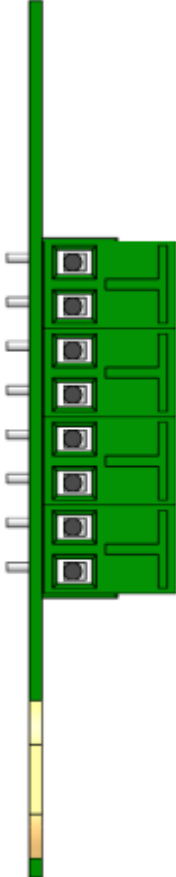
The diagram shows a green printed circuit board (PCB) with various components. On the left side, there is a green terminal block with four screw terminals. Below it, a yellow terminal block has two screw terminals. Labels with arrows point to these terminal blocks: 'Handset Status indicators' points to the green terminal block, and 'General Status Indicator' points to the yellow terminal block. The PCB features several integrated circuits (ICs) labeled '8502', a microcontroller labeled 'AT ATM-01', and various resistors and capacitors. There are also two circular gold-plated pads on the board.

Handset Status Indicator	
OFF:	No fault, handset on hook
FLASHING AMBER:	Handset off hook
STEADY AMBER:	line to handset is in fault

General Status Indicator	
OFF:	cards have no power or processor is fault
FLASHING GREEN:	board is operating, no faults
FLASHING AMBER:	board has a fault condition
STEADY AMBER:	Not receiving commands from the Distribution CPU

EvacU^{Elite} Quad Radial EIS Line Card

2. Connections

	<table border="1"> <tr> <td>HANDSET 1</td> <td>1</td> </tr> <tr> <td>HANDSET 1</td> <td>2</td> </tr> <tr> <td colspan="2"> </td> </tr> <tr> <td>HANDSET 2</td> <td>3</td> </tr> <tr> <td>HANDSET 2</td> <td>4</td> </tr> <tr> <td colspan="2"> </td> </tr> <tr> <td>HANDSET 3</td> <td>5</td> </tr> <tr> <td>HANDSET 3</td> <td>6</td> </tr> <tr> <td colspan="2"> </td> </tr> <tr> <td>HANDSET 4</td> <td>7</td> </tr> <tr> <td>HANDSET 4</td> <td>8</td> </tr> </table>	HANDSET 1	1	HANDSET 1	2			HANDSET 2	3	HANDSET 2	4			HANDSET 3	5	HANDSET 3	6			HANDSET 4	7	HANDSET 4	8
HANDSET 1	1																						
HANDSET 1	2																						
HANDSET 2	3																						
HANDSET 2	4																						
HANDSET 3	5																						
HANDSET 3	6																						
HANDSET 4	7																						
HANDSET 4	8																						

WIP handset 1, 2, 3 and 4	Inputs for Ampac EvacU ^{Elite} Radial Warden Handsets (polarity insensitive). Up to 2 Ampac MCPs can be connected to each handset. Max cabling is 1.5mm ² , max length 1000m, line impedance 600Ω, bandwidth 3K4 Hz.
---------------------------	--

Parameter	Detail
No. of Handset Interfaces	4
No. of MCPs per Handset	2
Handset Line Cabling	2 core 1.5mm ²
Handset Line Cabling	1 km (max)
Handset Line Impedance	600Ω
Handset Line Bandwidth	3k4Hz
No. of Rack Slots	1
Current Consumption	0.136 Amps (Quiescent), 0.305 Amps (Active)

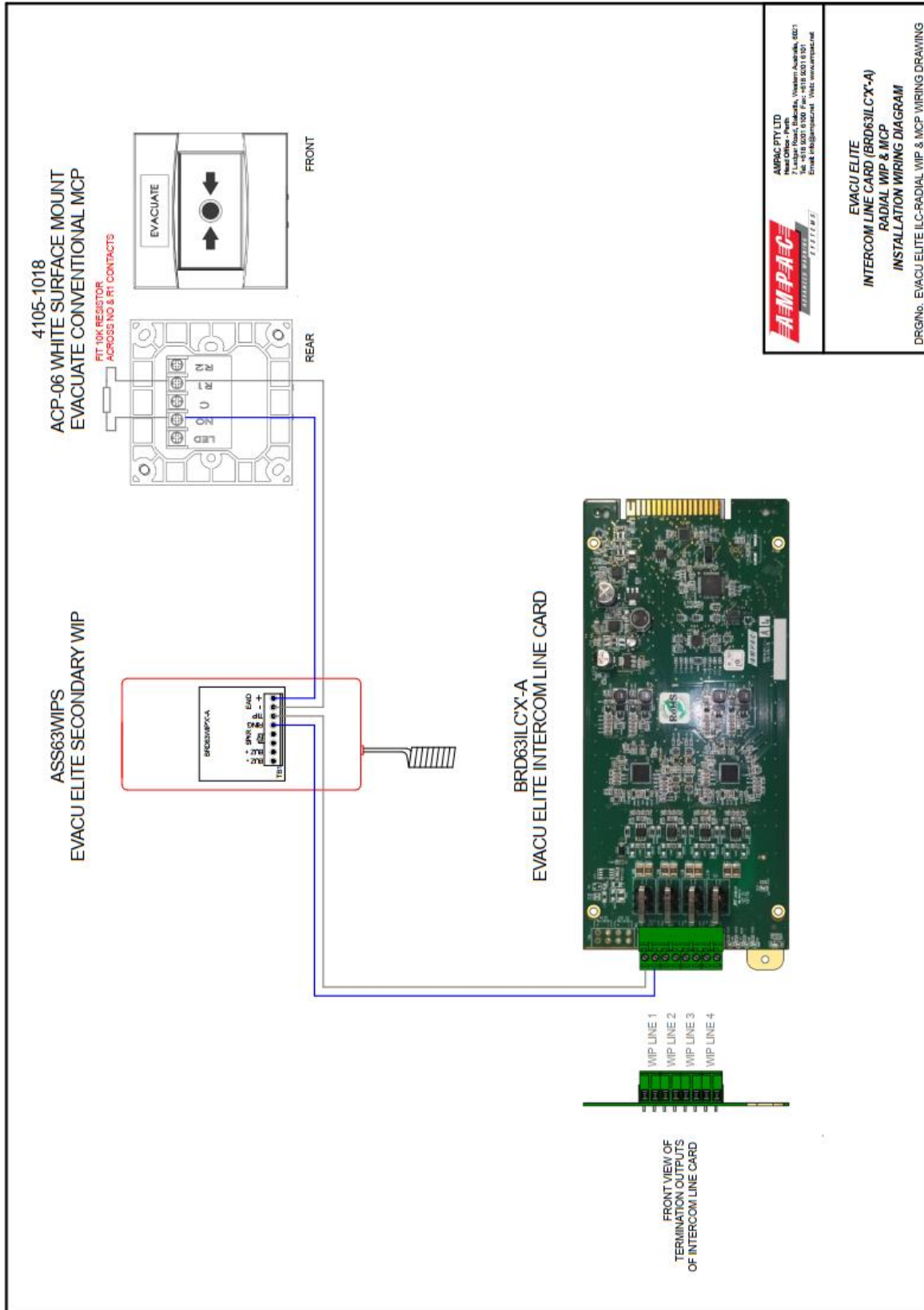
EvacU^{Elite} Quad Radial EIS Line Card

3. Installation

- a. Turn power OFF to the Universal Rack. Use the **EWCIE Power Switch** on the Primary PSU.
- b. Observing anti-static precautions, install the card in the panel.
- c. Ensure that the slot used in the panel is configured as ILC.
- d. Ensure the correct zoning of Radial handsets on each ILC interface respectively.
- e. Ensure the EIS Zone descriptors are all configured including the Master Warden Handset.
- f. Fit all the cards into the universal rack slots correctly.
- g. Fit the rack cover plates which prevent dislodgement of fitted cards.
- h. Turn power ON to the Universal Rack. Use the **EWCIE Power Switch** on the Primary PSU.
- i. Test the functionality.
- j. Use the GUI interface select Menu/Node/Rack & **Slot** screen to review the detailed ILC card status.

For Items C, D& E Please refer to the **Programming Manual** MAN3142

EvacuElite Quad Radial EIS Line Card



EvacU^{Elite} Quad Radial EIS Line Card

Connections to Radial WIP handset

