

Fire detection and evacuation solutions that save lives.

Ceiling Speaker with ABS Grille

Features

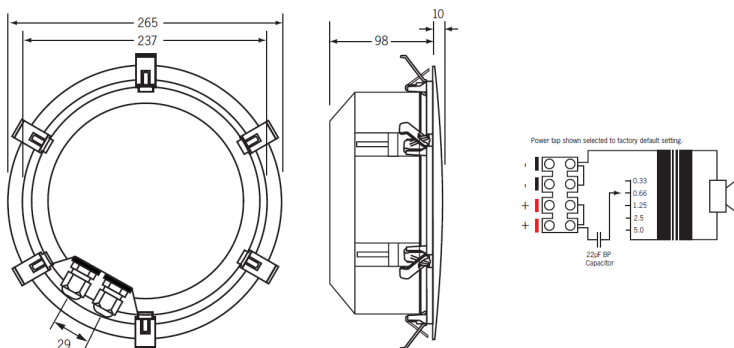
- 15W rating for high SPL requirements
- 200mm low profile design
- Tuned PA driver designed to meet fire standards
- Excellent speech intelligibility
- Fire resistant ABS safety cover
- High quality speaker driver
- Compression glands supplied
- One-shot 'snap-fit' mounting

Description

Designed to meet the requirements of evacuation and occupant warning paging systems. This high efficiency speaker and transformer combination ensures high SPL, wide frequency response, superior speech intelligibility and reproduction for critical fire system applications. The ceiling mount speaker is certified to the AS ISO7240.24 standard for fire & evacuation announcements in buildings.

Each speaker is fitted with a fire retardant speaker/transformer safety cover, cable glands and terminal blocks for easy on site termination. The speaker utilises the One-Shot 'snap fit' mounting system.

Dimensions



Specifications

Rated Noise Power	15 Watts (100V line)
Power Taps & Impedance (100V line)	1.25W (8kΩ), 2.5W (4kΩ), 5W (2kΩ), 10W (1kΩ), 15W (668Ω)
Sensitivity	95dB (1W @ 1m), 83dB (1W @ 4m)
Maximum Sound Pressure Level	104dB (15W @ 1m), 92dB (15W @ 4m)
Frequency Response	100Hz-15kHz, 500-4kHz ±8dB
Coverage Angle (-6dB)	500Hz: > 180°, 1000Hz: 165°, 2000Hz: 85°, 4000Hz: 55°
Environmental Type	A (for indoor applications as per standard)
Speaker Component	200mm (8") paper cone speaker
Mounting Hole	246mmØ
Mounting Method	6 x plastic spring loaded clip
Line Monitoring	Yes, 22µF bipolar capacitor
Applicable Cable	2.5mm ² (14AWG) max conductor area
Connection	4 way screw terminal
Finish	White or black flame retardant ABS grille (Taitalac 8540T)
	Clear Flame retardant ABS spring clips (Makrolon 6557)
	Red flame retardant ABS transformer dome cover (Starex VH-0800)
Dimensions	265mm Ø x 108mm D
Weight	1.95 kg

Item Numbers

- 4113-1074** Ceiling Speaker 200mm White ABS Grille
- 4113-1075** Ceiling Speaker 200mm Black ABS Grille