

Fire detection and evacuation solutions that save lives.

# Ceiling Speaker with ABS Grille

## Features

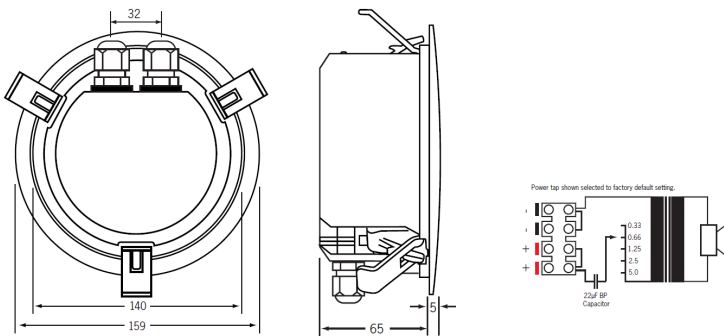
- Low profile design
- Excellent speech intelligibility
- Fire resistant ABS plastic dome
- High quality speaker driver
- One-shot 'snap-fit' mounting
- Rubber grommets supplied
- AS ISO 7240.24 certified (Activfire afp-3428)

## Description

The ceiling mount speaker is certified to the AS ISO7240.24 standard for fire & evacuation announcements in buildings.

Each speaker is fitted with a fire retardant speaker/transformer dome and is fitted with rubber grommets and terminal blocks for easy on site termination. The speaker utilises the One-Shot 'snap fit' mounting system.

## Dimensions (mm)



## Specifications

Rated Noise Power	5 Watts (100V line)
Power Taps & Impedance (100V line)	0.33W (30kΩ), 0.66W (15kΩ), 1.25W (8kΩ), 2.5W (4kΩ), 5W (2kΩ)
Sensitivity	89dB (1W @ 1m), 77dB (1W @ 4m)
Maximum Sound Pressure Level	96dB (5W @ 1m), 84dB (5W @ 4m)
Frequency Response	100Hz - 15kHz
Coverage Angle (-6dB)	1000Hz: 180°, 2000Hz: 160°, 4000Hz 75°
Environmental Type	A (for indoor applications as per standard)
Speaker Component	100mm (4") paper cone speaker
Mounting Hole	140mmØ
Mounting Method	3 x plastic spring loaded clip
Line Monitoring	Yes, 22µF bipolar capacitor
Applicable Cable	2.5mm <sup>2</sup> (14AWG) max conductor area
Connection	4 way screw terminal
Finish	White or black flame retardant ABS grille (Taitalac 8540T)
	Clear Flame retardant ABS spring clips (Makrolon 6557)
	Red flame retardant ABS transformer dome cover (Starex VH-0800)
Dimensions	159mm Ø x 65mm D
Weight	710g

## Item Numbers

4113-1054	Ceiling Speaker White ABS Low Profile Grille (C2160A)
4113-1055	Ceiling Speaker Black ABS Low Profile Grille (C2161A)