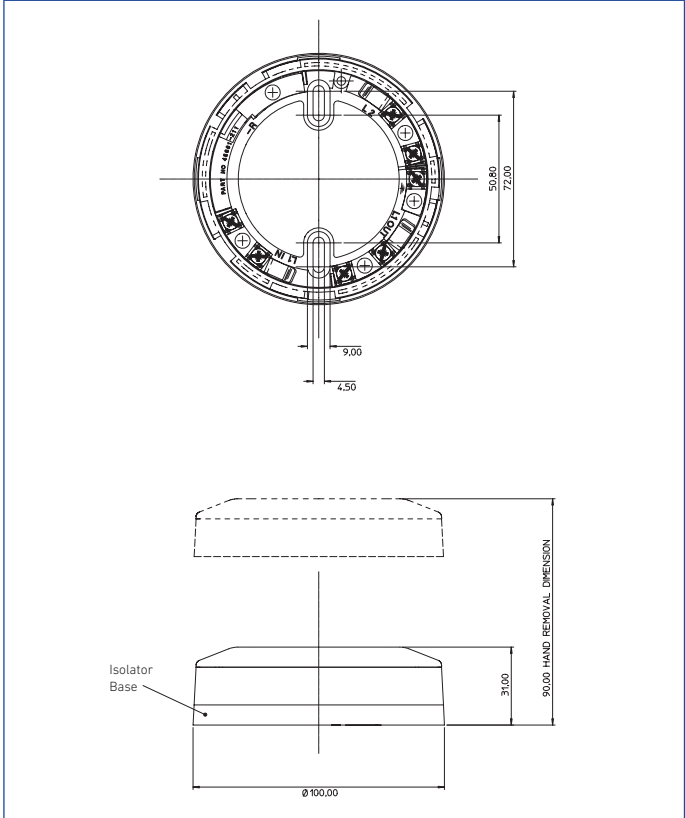


Discovery Marine

Isolator



Discovery Marine Isolator dimensional drawing



Product Overview

Product	Marine Isolator
Part No.	55000-721MAR

Approvals



Product Information

The Discovery Marine Isolator is placed at intervals on the loop and ensures that, in the event of a short-circuit, only the section between isolators will be affected. When the short-circuit is removed the isolators automatically restore power in the isolated section. No more than 20 devices can be installed between isolators.

EMC Directive 2014/30/EU

The Discovery Marine Isolator complies with the essential requirements of the EMC Directive 2014/30/EU, provided that it is used as described in this data sheet.

A copy of the Declaration of Conformity is available from www.apollo-fire.co.uk.

Conformity of the Discovery Marine Isolator with the EMC Directive, does not confer compliance with the directive on any apparatus or systems connected to it.

Construction Products Regulation 305/2011/EU

The Discovery Marine Isolator complies with the essential requirements of the Construction Products Regulation 305/2011/EU.

A copy of the Declaration of Performance is available from www.apollo-fire.co.uk.

Marine Equipment Directive 2014/90/EU

The Discovery Marine Isolator complies with the essential requirements of the Marine Equipment Directive 2014/90/EU.

This page has intentionally been left blank