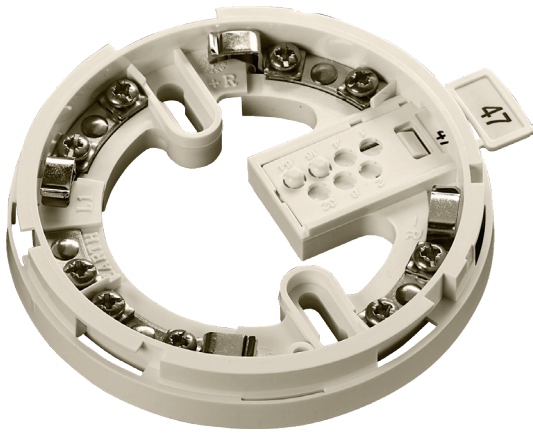


# Discovery Marine Mounting Base



## Addressing

Universal address cards, known as XPERT cards, are supplied with all bases. Consult the coding guide in the installation instructions to determine which pips are to be removed from the card to give the correct address.

Lay the card on a flat surface, pips down, insert a screwdriver into the slot on the reverse of the pip to be removed and give a firm twist.

When the card is coded insert it into the slot in the side of the appropriate base making sure that the card locks itself into place. As a detector is inserted into the base the remaining pips operate the address buttons on the detector and the detector electronics read the address. An anti-tamper screw in the lid locks the detector to the mounting base.

## EMC Directive 2014/30/EU

The Discovery Marine Mounting Base complies with the essential requirements of the EMC Directive 2014/30/EU, provided that it is used as described in this data sheet.

A copy of the Declaration of Conformity is available from [www.apollo-fire.co.uk](http://www.apollo-fire.co.uk).

Conformity of the Discovery Marine Mounting Base with the EMC Directive, does not confer compliance with the directive on any apparatus or systems connected to it.

## Construction Products Regulation 305/2011/EU

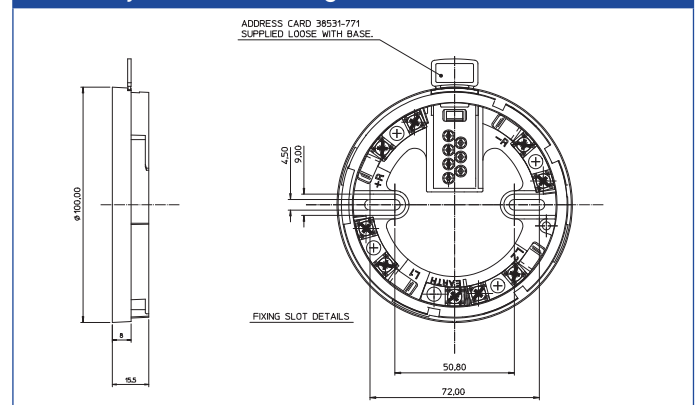
The Discovery Marine Mounting Base complies with the essential requirements of the Construction Products Regulation 305/2011/EU.

A copy of the Declaration of Performance is available from [www.apollo-fire.co.uk](http://www.apollo-fire.co.uk).

## Marine Equipment Directive 2014/90/EU

The Discovery Marine Mounting Base complies with the essential requirements of the Marine Equipment Directive 2014/90/EU.

## Discovery Marine Mounting Base dimensions



## Product Overview

|          |                      |
|----------|----------------------|
| Product  | Marine Mounting Base |
| Part No. | 45681-210MAR         |

## Approvals



## Product Information

The Discovery Mounting base is 100 mm in diameter and has the five connections that follow:

- L1 Negative line in and line out - double terminal
- L2 Positive line in and line out - double terminal
- R Remote LED negative supply - double terminal
- +R Remote LED positive supply - double terminal
- EARTH Earth/ground - single terminal

An earth connection is not required for either safety or correct operation of detectors. The ground (earth) terminal is isolated and is provided for tidy termination of grounded conductors or cable screens and to maintain earth continuity where necessary.

All terminals are marked according to their function.

Bases have a wide interior diameter for ease of access to cables and terminals and there are two slots for fixing screws. The slots enable two fixing screws to be located at a spacing of 51 to 69 mm.

Detectors fit into bases one way only, without snagging, and require clockwise rotation without push force to be plugged in.

36 Brookside Road, Havant | Tel: +44 (0)23 9249 2412 | Email: [sales@apollo-fire.com](mailto:sales@apollo-fire.com)  
 Hampshire, PO9 1JR, UK. | Fax: +44 (0)23 9249 2754 | Web: [www.apollo-fire.co.uk](http://www.apollo-fire.co.uk)

Note: Should be used with Deckhead Mounting Box - Part No. 45681-217 if ingress protection is required



A HALMA COMPANY

© Apollo Fire Detectors Limited 2017



This page has intentionally been left blank