

## Introduction

The Line Terminator facilitates the straightforward termination of the **GasRelease** Panel's extinguishant output to a maximum of two solenoids (described below) or multiple Metrons (see overleaf)..

### Typical Solenoid Wiring

The **GasRelease** Panel's extinguishant output is capable of supplying 1A for a maximum duration of 5 minutes (the actual duration can be set using the panel's commissioning menus). If connecting one solenoid (as shown in Figure 1), it must have a resistance greater than 30 ohms. If connecting two solenoids (as shown in Fig. 2), each solenoid must have a resistance greater than 60 ohms. Note that one Line terminator is required per solenoid (max. 2 per system) and the quantity used (1 or 2) should be programmed into the **GasRelease** panel via its commissioning menus.

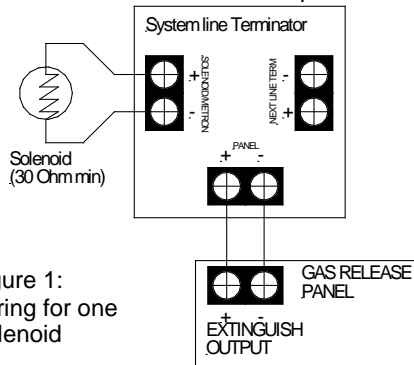
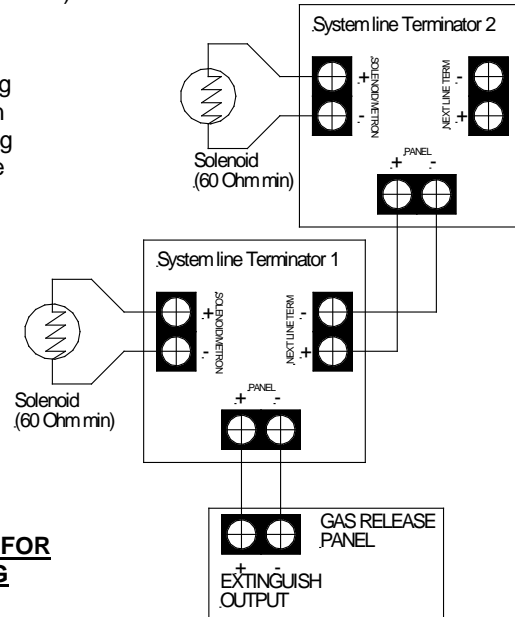


Figure 1:  
Wiring for one Solenoid

Figure 2:  
Wiring for two Solenoids



**SEE OVERLEAF FOR METRON WIRING**

## Typical Metron (Igniting Actuator) Wiring

The **GasRelease** Panel's extinguishant output is capable of supplying 3A for 50 milliseconds to ignite one or more Metron-type actuators. If connecting one Metron, wire as shown in Fig. 3. If connecting multiple Metrons, wire the first to the Line Terminator's solenoid/metron output and all others in series with the extinguishant output's +Ve line, as shown in Fig. 4. Note that the total series resistance of the Metron(s) and wiring should not exceed 7 ohms.

Figure 3:  
Wiring for one  
Metron

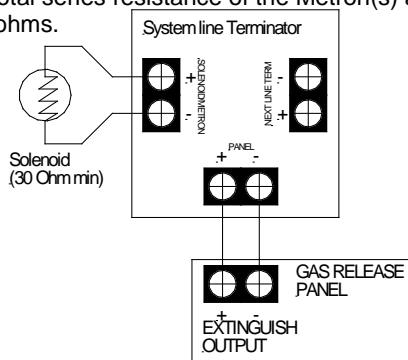
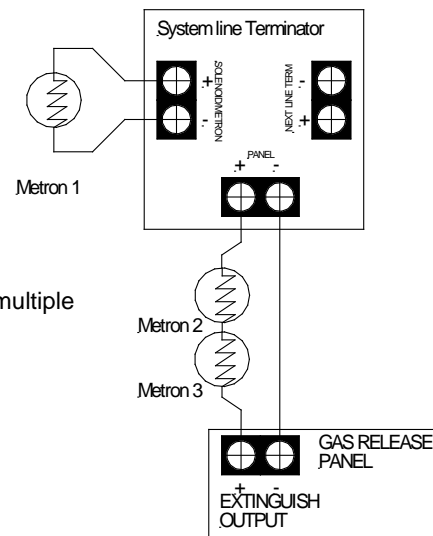


Figure 4:  
Wiring for multiple  
Metron



## Technical Specification

Indicators	1 x Active LED (illuminates red when the Gas Panel extinguishant output is active)
Dimensions/Weight:	55mm(w) x 55mm(h) x 22mm(d) approx.