

Fire detection and evacuation solutions that save lives.

VTB-VC Ceiling Sounder VAD Beacon

Features

- 32 selectable sounder tones
- Factory set AS4428-16:2015 compliant tones
- 1Hz Flash rate
- White flash C-3-8, Red flash C-3-7 coverage
- Shallow body IP21C and deep body IP65C
- Body colour options - Red and White
- Removal cover on deep base for surface wiring
- Switch selectable beacon only option
- Designed to work with conventional alarm circuits
- Base locking mechanism
- Synchronisation between devices
- Switch selectable volume output levels

Description

The VTB-VC ceiling mount sounder VAD beacon is part of the Vantage family of products and has been designed for fire alarm system applications.

The sounder function, like all the Vantage family of products, is a low profile sounder with 32 selectable tones as standard and is factory set to the Australian compliant AS4428-16 tone. The sounder has the option of a changeover facility from Alert to Evacuate tone, when installed using 3 core cable.

The beacon function is available with white or red flash and has a switch selectable 0.5Hz and 1Hz flash rate.

The VTB-VC is available with red or white body incorporating a shallow or deep mounting base.

Refer tone table for full list of available tones.

Item Numbers

4107-5201	VTB-VC White Flash Shallow White Body
4107-5202	VTB-VC White Flash Deep White Body
4107-5203	VTB-VC Red Flash Shallow White Body
4107-5204	VTB-VC Red Flash Deep White Body
4107-5205	VTB-VC Red Flash Shallow Red Body
4107-5206	VTB-VC Red Flash Deep Red Body
4107-5207	VTB-VC White Flash Shallow Red Body
4107-5208	VTB-VC White Flash Deep Red Body



Specifications

Volume settings	3 - high, medium & low
Voltage	18 to 30Vdc
Current at Vmax (30 Vdc)	52mA high, 36mA med, 27mA low
Current at Vmin (21 Vdc)	47mA high, 35mA med, 28mA low
Sound output typical	Max 96dB (high)
Sound pattern (Evacuate)	520Hz +/- 5% on a temporal 3 pattern (ISO8201)
Sound pressure (Alert)	520Hz +/- 5%, 1 pulse of tone for 0.5 seconds followed by 3.5 seconds of silence (ISO7731)
Flash rates	0.5 and 1 Hz
Beacon coverage	C-3-8 White flash C-3-7 Red flash C-3-4 Red & white flash
Temperature range (°C)	-20°C to + 70°C
Monitoring	Reverse polarity
Protection rating (AS7240 -3) (BS EN60629)	IP21C (shallow) IP33C (deep) IP65C (deep body)
Dimensions	Ø 94mm x 97mm D (shallow)
Boxed weight (kg)	0.22 (shallow) 0.25 (deep)
Body colour	Red or White
Sounder type	Type A
Approval	AS7240-3:2014 AS7240-23:2014

Note: flash rate 0.5Hz and coverage C-3-4 are non-approved settings

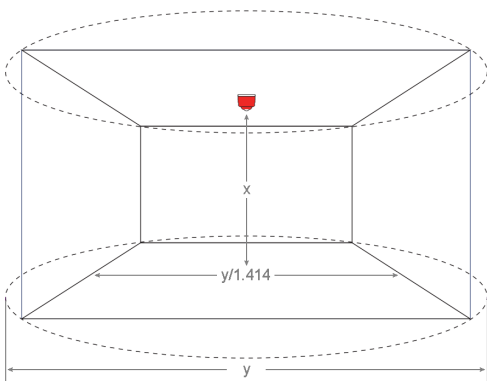
Fire detection and evacuation solutions that save lives.

VTB-VC Ceiling Sounder VAD Beacon

Tone 20 - Australian Tone SPL Table

Angle	Horizontal Plane dB(A)		Vertical Plane dB(A)	
	Vmin	Vmax	Vmin	Vmax
15°	89.3	89.7	86.8	89.2
45°	93.9	96.6	93.9	96.3
75°	95	97.3	94.8	97
105°	94.6	96.8	94.8	96.7
135°	94.6	97.1	95	97.1
165°	88.7	90.8	88.8	91

Coverage Volume



X – The maximum height at which the device may be mounted

Y – The diameter of the cylindrical volume covered when the device is mounted to the ceiling at a height of 3 metres

C-3-8 Volume coverage calculation for is

$$\pi \times (8 \div 2)^2 \times 3 = 151\text{m}^3$$

$$\text{Floor area coverage is } 8/1.414 = 5.65\text{m}^2$$

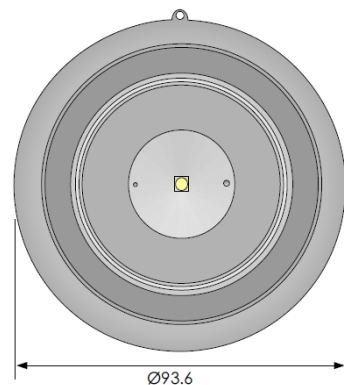
C-3-7 Volume coverage calculation for is

$$\pi \times (7 \div 2)^2 \times 3 = 115\text{m}^3$$

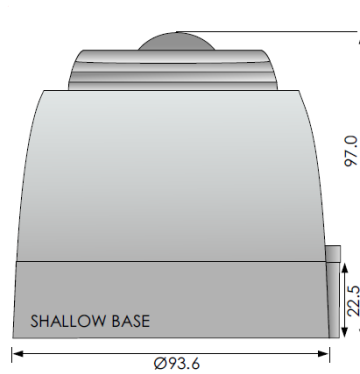
$$\text{Floor area coverage is } 7/1.414 = 4.95\text{m}^2$$

Dimensions

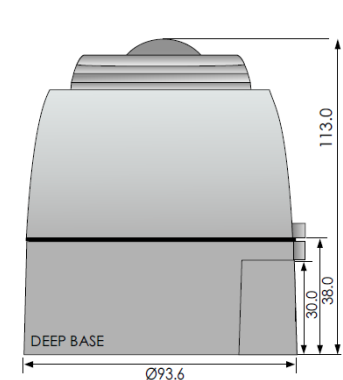
PLAN VIEW



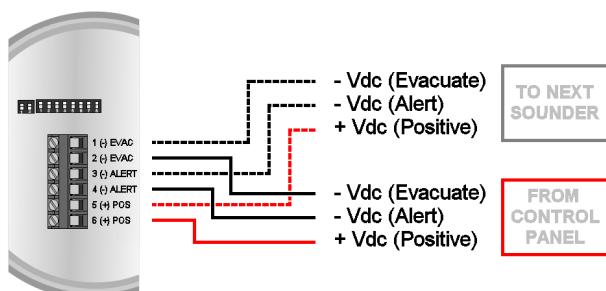
SIDE VIEW



SIDE VIEW



Wiring Configuration



Tone & Volume Select

