

Fire detection and evacuation solutions that save lives.

VXB-VC Ceiling VAD Beacon

Features

- 1 Hz Flash rate
- White flash C-3-8, Red flash C-3-7 coverage
- Shallow body IP21C and deep body IP65C
- Unique twist & lock bayonet mounting
- Body colour options - Red and White
- Removal cover on deep base for surface wiring
- Designed to work with conventional alarm circuits
- Base locking mechanism
- Synchronisation between devices

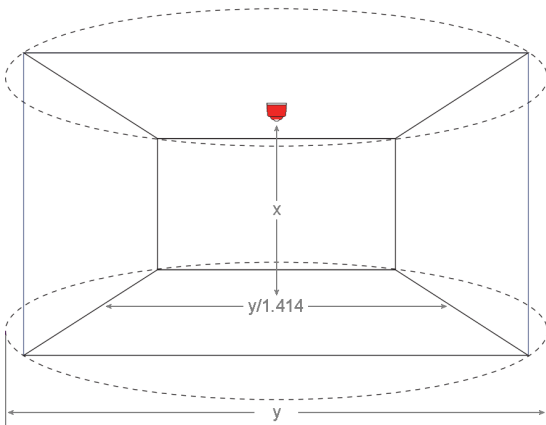
Description

The VXB-VC ceiling mount Visual Alarm Device (VAD) beacon is part of the Vantage family of products and has been designed for fire alarm system applications.

The Visual Alarm Device (VAD) are available in white or red flash and have been approved at 1 Hz flash rate at C-3-8 (white flash) and C-3-7 (red flash) coverage range. A switch selectable 0.5Hz flash rate with C-3-4 coverage is also available.

The VXB-VC is available with red or white body incorporating a shallow or deep mounting base.

Coverage Volume



X – The maximum height at which the device may be mounted

Y – The diameter of the cylindrical volume covered when the device is mounted to the ceiling at a height of 3 metres

C-3-8 Volume coverage calculation for is

$$\pi \times (8 \div 2)^2 \times 3 = 151\text{m}^3$$

Floor area coverage is $8/1.414 = 5.65\text{m}^2$

C-3-7 Volume coverage calculation for is

$$\pi \times (7 \div 2)^2 \times 3 = 115\text{m}^3$$

Floor area coverage is $7/1.414 = 4.95\text{m}^2$



Specifications

Voltage	18 to 30Vdc
Current consumption (24 Vdc)	25mA (7m & 8m flash rate) 15mA (4m flash rate)*
Flash rate	c.1 Hz 0.5Hz*
Beacon coverage	C-3-8 white flash C-3-7 red flash C-3-4 white & red flash*
Temperature range (°C)	-20°C to + 70°C
Monitoring	Reverse polarity
Protection rating (AS7240-3) (BS EN60629)	IP21C (shallow) IP33C (deep) IP65C (deep body)
Dimensions	Ø 94mm x 68mm D (shallow) Ø 94mm x 86mm D (deep)
Boxed weight (kg)	0.22 (shallow) 0.25 (deep)
Body colour	Red or White
Flash colour	Red or White
Sounder type	Type A
Approval	AS7240-23:2014

* Non-approved settings

Item Numbers

4107-1101	VXB-VC White Flash Shallow White Body
4107-1102	VXB-VC White Flash Deep White Body
4107-1103	VXB-VC Red Flash Shallow White Body
4107-1104	VXB-VC Red Flash Deep White Body
4107-1105	VXB-VC Red Flash Shallow Red Body
4107-1106	VXB-VC Red Flash Deep Red Body
4107-1107	VXB-VC White Flash Shallow Red Body
4107-1108	VXB-VC White Flash Deep Red Body