

Fire detection and evacuation solutions that save lives.

XP95 White Flash Loop Powered VAD Category W

- ✓ Coverage W-2.4-6
- ✓ Wide angle of visibility
- ✓ Uses high intensity LED
- ✓ AS7240-23 compliant Category W VAD
- ✓ White flash rate 0.5Hz
- ✓ Fault signal if LED check failed
- ✓ Locking mechanism
- ✓ Synchronised flash rates

Product Overview

The addressable Loop Powered Visual Alarm Devices (VADs) have been developed as primary or supplementary alarm devices. VADs may be used in situations where there is a risk that sounders will not be heard. This occurs, for example, where there is high background noise such as in a workshop or in a machine room. It might also be required where deaf or hearing impaired persons may be present.

The Loop Powered Addressable Visual Alarm Device is a local area VAD designed for indoor use and can be connected to systems with XP95, Discovery or Soteria devices on the loop.

The Loop Powered VAD can be fitted to any XPERT 7 or XPERT 8 Mounting Base.

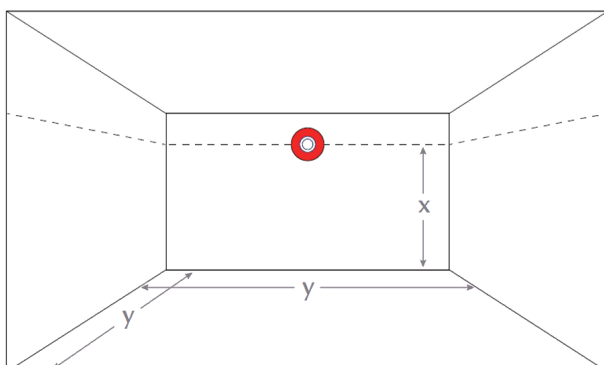
When fitted to an Integrated Base Sounder the devices can be controlled separately via their individual address.

Category W VAD coverage area,

X = The maximum height of the device on the wall in metres with a maximum value of 2.4m.

Y = The width of the square volume covered when the device is mounted to the wall at required height.

W-2.4-6 = Cuboid Volume of $2.4\text{m}^2 \times 6\text{m} \times 6\text{m} = 86.4\text{m}^3$



Specifications

Coverage Class	W-2.4-6
Flash Colour	White
Frequency Flash Rate	0.5Hz
Supply Voltage	17-28 Vdc
Quiescent Current	280µA
Power-up Surge Current	1.5mA
Alarm Current (LED on)	16mA
Operating temperature	-10° to +55°C
Humidity	0% to 95% RH (no condensation or icing)
IP Rating	IP54 using standard base 201-0004
Standards & Approvals	EN54-23, CPR, LPCB and AS7240-23
Dimensions inc base	100 Ø x 56mm height
Weight	105g
Material	White and Red fire retardant polycarbonate

Item Numbers

4107-2005	XP95 VAD White Flash W-2.4-6 White Body
4107-2006	XP95 VAD White Flash W-2.4-6 Red Body