

32 Zone Indicator Module

Item Number: 4310-0086

Installation guide

Introduction

The 32 Zone Indicator Module Kit consists of:

- 1 x BRD43ZAMC'x'-A
- 1 x DEC1515-T2
- 1 x ENC1824-A
- 1 x ENC1825-A
- 4 x LAB1516
- 1 x CAB1905 RJ45 Cable

Description

The 32 Zone Indicator card has 32 bi-coloured LED's which can be used to display the status of up to 32 Zones.

The zone numbers assigned to each LED are configurable and the LED's will operate in the following manner for the respective zone statuses:

ZONE STATUS	LED STATE	LED COLOUR
FIRE	ON STEADY	RED
DEPENDENCY B	FLASH	RED
DISABLED	ON STEADY	YELLOW
FAULT	FLASH	YELLOW
ALL OTHER	OFF	n/a

The card will also respond to a lamp test when instigated on the panel to which it is connected.

Installation

Observe anti-static precautions at all times

1. Power down and disconnect the batteries

Mounting

2. The module should already be mounted to ENC1824-A / ENC1825-A. (Figure 2)
3. Mount the module in the next free ancillary cutout at the Fire Alarm Control Panel.

Connecting to the FACP

4. Set the required Address for the 32 Zone Indicator card using the 4 way dip switch (Figure 3)
5. If fitted as the last module the EOL link needs to be fitted (Figure 3)
6. Using the supplied RJ45 cable connect the 32 Zone Indicator card to the applicable Fire Alarm Control Panel (FACP) (see Figure 4 & 5 overleaf)
7. Power up the panel and reconnect the batteries

8. Using the applicable Configuration tool ConfigManager (FireFinder Plus) or LoopMaster (LoopSense) configure the 32 ZAMC board
9. Test

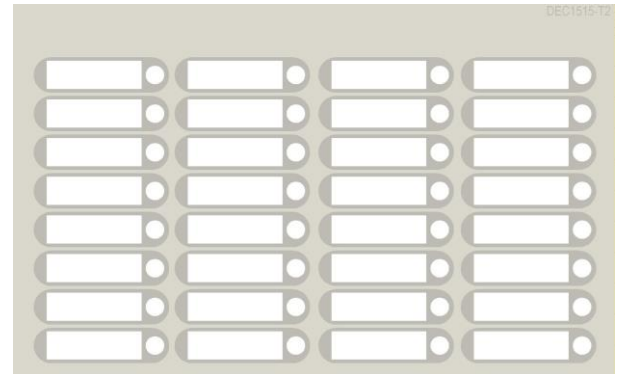


Figure 1: DEC1515-T2

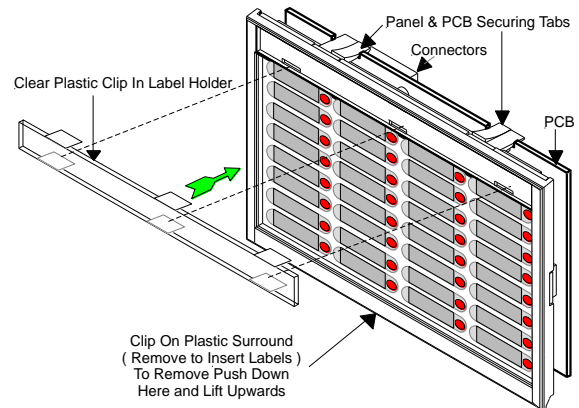


Figure 2: 32 Zone Mimic ENC1824-A / ENC1825-A Mounting

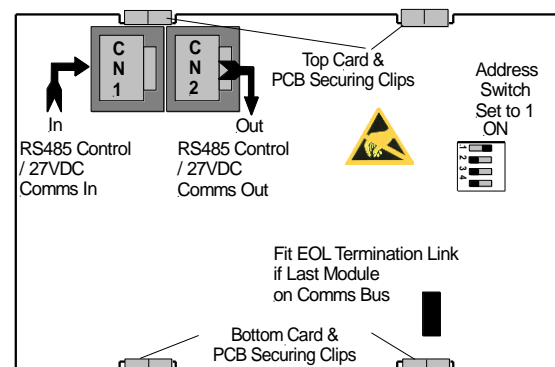


Figure 3: Rear View 32 Zone Alarm Mimic Card

32 Zone Indicator Module

Item Number: 4310-0086

Installation guide

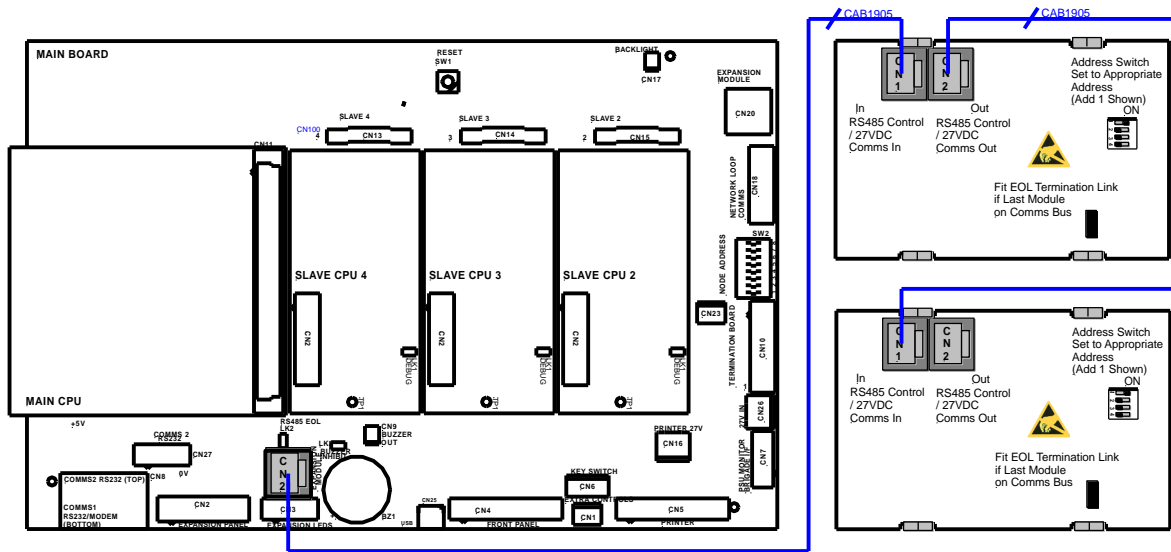


Figure 4: General Wiring 32 Zone Alarm Mimic Card (FireFinder Plus)

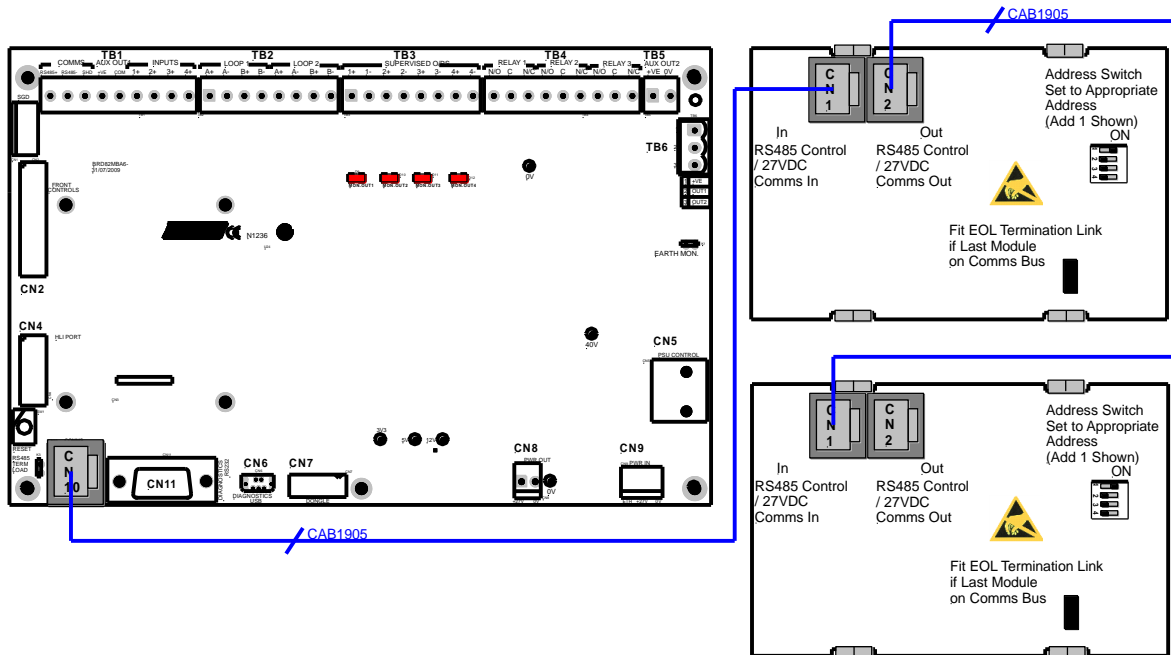


Figure 5: General Wiring 32 Zone Alarm Mimic Card (LoopSense)