

16 Way Input Board

Item Number: 4310-0040

Installation guide

Description

16 Way Input Board provides for 16 voltage free contacts to be terminated to 16 optically coupled inputs.

The 16 Way Input Board Fast Fit Kit consists of:

- 1 x BRD25SIPB
- 1 x 220mm and 350mm RJ45M Comms / power Cable,
- 8 x mounting screws,
- 4 x Standoffs.

Installation

Observe anti-static precautions at all times

1. Power down and disconnect the batteries

ABS Cabinet (new battery cabinet may be required)

2. Mount the board on suitably spaced backpan standoffs using the 4 x M3 by 8mm screws. See Figure 2 for available mounting locations

Metal Cabinet (standoffs fitted to lower left hand side of the backpan)

3. If necessary fit the stand offs to the suitably spaced captive nuts in the lower right hand side backpan position
4. Mount the board onto the standoffs using the 4 x M3 by 6mm screws
5. Connecting to the FACP

6. Select suitable cable lengths from those supplied to connect CN1 on the Input Board to CN5 of the Main Control Card or, CN1 on the Input Board to CN2 of the previous internal backpan board
7. Bring the field 0V voltage free field contact/s cabling into the FACP through a suitable knockout and terminate to TB1 to 8
8. Power up, reconnect the batteries, program and test

Connection and Settings

CN1: Is the input RS485 Comms and 27VDC from CN2 of the previous backpan board or CN5 of the Main Control Card

CN2: Is the output RS485 Comms and 27VDC to CN1 of the next internal backpan board

CN3: Not normally used. Optional 27 Volts into the board from CN10 of the Main Control Card or CN4 of previous internal backpan board

CN4: Not normally used. Optional 27 Volts to the next backpan board if required

TB1/8: Voltage free contacts as shown in Figure 2

SW1: Set address to 1

LK1: EOL Link fitted to the last backpan board in the chain

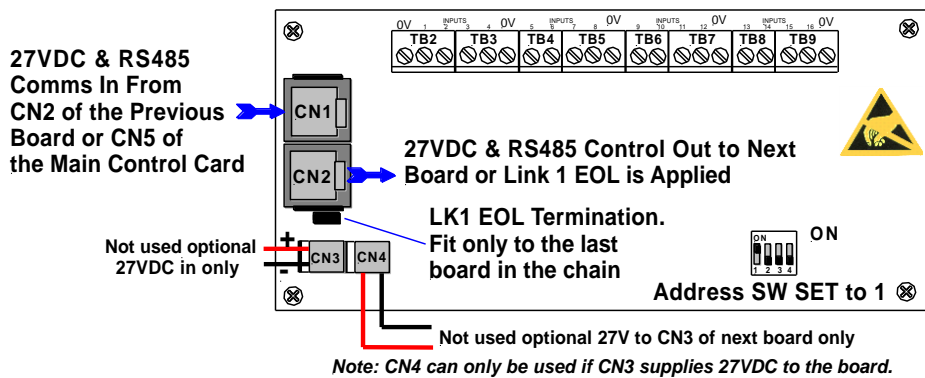


Figure 1: 16 Way Input Board PCB Layout

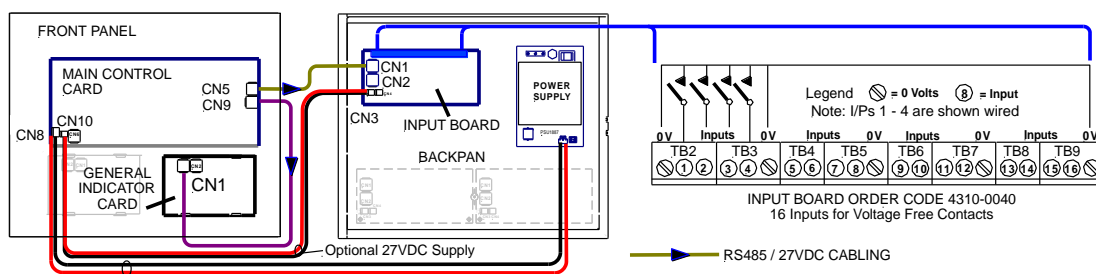


Figure 1: Typical Input Board FACP Internal Cabling and Input Wiring Configuration