

**Installation guide**

**Description**

The Ampac ACP-02 double action re-settable Manual Call Point (MCP) eliminates the possibility of accidental operation and the cost and labour of replacement of fragile elements.

**Features**

- Testing of operation without removal of front cover
- Resettable operation
- LED indication
- Suits standard mounting control wall box

**Installation**

*Observe anti-static precautions at all times*

**Flush Mounting**

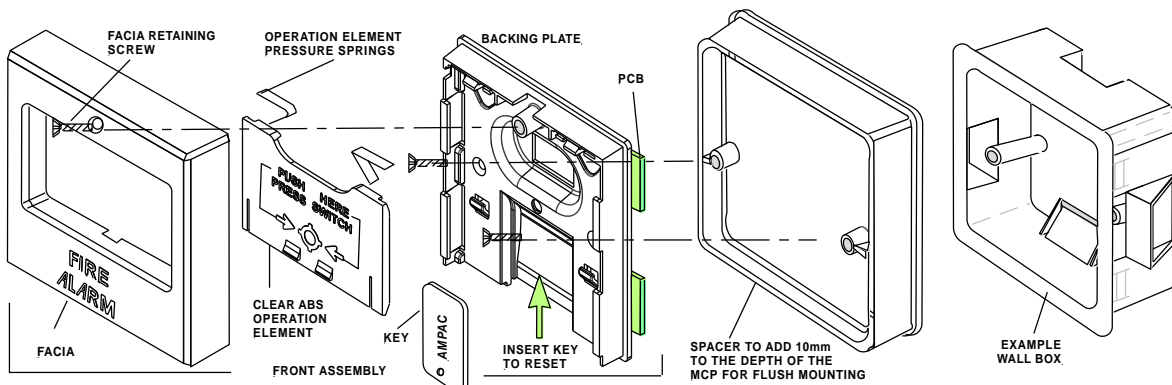
1. Remove the securing screw from the front of MCP while at the same time pulling the top of the facia away from the backing plate
2. Place the spacer to the back of the MCP as shown above and terminate the cables (See Figure 1)

3. Fix the backing plate and spacer to the wall box using two (2) appropriately sized fixing screws
4. Replace the facia by inserting the two (2) bottom locating pegs of the facia up into the bottom of the locating holes of the backing plate, close at the top, tighten the retaining screw then insert the key (as shown) to reset the operation element

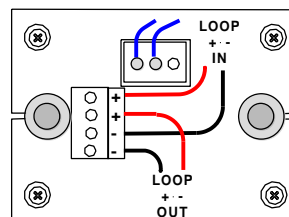
**Testing of MCP Operation**

1. Isolate the FACP from calling the fire brigade
2. Press on the clear ABS operation element in the location indicated, PUSH HERE to drop the element down
3. Operate the switch, the MCP LED should illuminate and an alarm at the FACP should be indicated
4. To reset the operation element firmly push the key up into the slot in the bottom of the facia

**Note:** *To ensure line monitoring integrity always use one (1) set of terminals for "IN" and one (1) set for "OUT".*



FACIA WITH THE OPERATION ELEMENT IN THE RELEASED POSITION



PCB LAYOUT & WIRING

Figure 1: General Wiring Diagram