

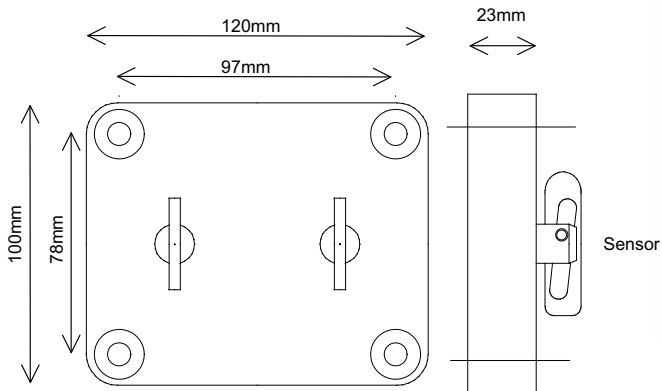
## 4108-3004

### Electrical Isolation Mount for Adjustable Bracket

#### Features

- Stainless steel quick release antiluce fasteners
- Marine grade isolation material (orkot)

#### Dimensions (mm)



Mount using M8 countersunk socket screws.  
(supplied by others)

2 x antiluce fasteners  
4 x 9mm fixing holes



#### Mounting

