

Fire detection and evacuation solutions that save lives.

# Three Input Device

## Features

- 3 x Independent Monitored Inputs
- Loop Powered
- Compatible with XP95 & Discovery Protocol
- Built In Short Circuit Isolator
- Low Power Consumption
- Diagnostic LED Indications
- Surface Mount Enclosure
- DIN Rail Mount Option

## Description

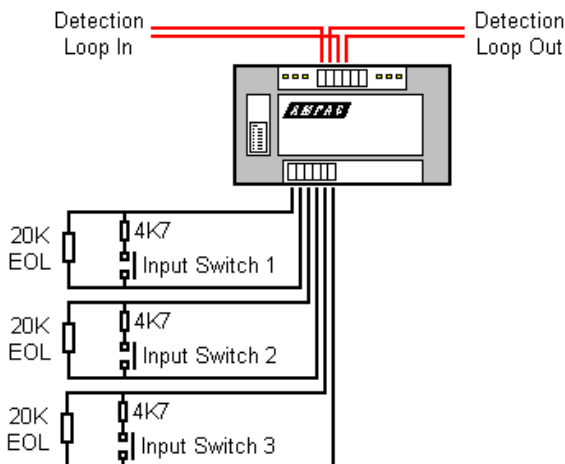
The Ampac Three Input Device is designed to interface to a variety of plant control equipment such as sprinkler flow switches and fire fan control systems.

The Three Input Device incorporates three (3) monitored switched inputs. Each input can be used to supervise one or more normally open contacts connected to a single pair of cables with monitoring provided for both open and short circuit fault conditions. The Input circuits incorporate de-bounce circuitry for enhanced noise rejection and are protected against high transient voltages.

The Ampac Three Input Device is loop powered and includes bi directional isolation circuitry for protection against detection loop short circuits. On board LED status indication is provided for service and commissioning purposes, a feature that can be deactivated during normal operation to reduce the current draw on the system.

Two packaging options are available. The 'DIN Mount' version enables the device to be mounted onto standard 35mm DIN rail or screwed direct to the back pan of a larger enclosure while the 'Enclosed' version allows the device to be surface mounted to a wall.

## Schematic



Enclosed version

## Applications

- HVAC/BMS Signals
- Sprinkler Systems
- Pump Status
- Aspirating Systems
- Fire Fans and Dampers
- Beam & Flame Status
- Valve Monitoring
- Gas Suppression

## Specifications

<b>Operating Voltage</b>	17 - 28V DC	
<b>Max Current at 24V DC</b>	LEDs Enabled	LEDs Disabled
	<b>Quiescent Current</b>	1.87mA / 1.31mA
	<b>1 Input On</b>	2.56mA / 1.47mA
	<b>2 Inputs On</b>	2.93mA / 1.51mA
<b>3 Inputs On</b>	3.26mA / 1.54mA	
<b>Total</b>	3.26mA / 1.54mA	
<b>Operating Temp.</b>	-20°C +70°C	
<b>Humidity</b>	0 to 95% Non-condensing	
<b>Dimensions</b>	(H x W x D)	
<b>DIN Mount</b>	75mm x 144mm x 25mm	
<b>Enclosed</b>	150mm x 200mm x 52mm	
<b>Enclosure (4210-0057)</b>		
<b>Cable Entry</b>	4 Side 4 Rear Conduit knock outs Top Bottom	
<b>Material</b>	Grey ABS	
<b>IP Rating</b>	IP44	

## Item Numbers

4210-0056	Three Input Device DIN Mount
4210-0057	Three Input Device Enclosed

Fire detection and evacuation solutions that save lives.

# Three Input Device

## Short Circuit Isolator Specification

Maximum line voltage - $V_{\max}$	28V dc
Minimum line voltage - $V_{\min}$	17V dc
Maximum voltage device isolates - $V_{SO \max}$	16V dc
Minimum voltage device isolates - $V_{SO \min}$	12V dc
Maximum voltage device reconnects - $V_{SC \max}$	17V dc
Minimum voltage device reconnects - $V_{SC \min}$	12V dc
Maximum rated current - $I_{C \max}$	1 A
Maximum rated switching current - $I_{S \max}$	3.3 A
Maximum leakage current - $I_{L \max}$	60 mA
Maximum series impedance switch closed - $Z_{C \max}$	100 m $\Omega$