

Fire detection and evacuation solutions that save lives.

Single Input Output Device

Features

- Loop Powered
- Monitored Input
- Change Over Relay Output
- Compatible with XP95 & Discovery Protocol
- Built In Short Circuit Isolator
- Low Power Consumption
- Diagnostic LED Indications
- Surface Mount Enclosure
- DIN Rail Mount Option

Description

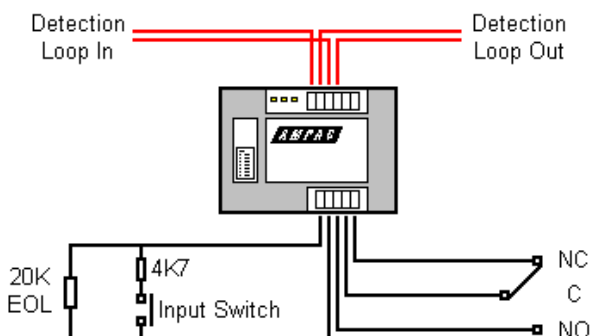
The Ampac Single Input Output Device is designed to interface to a variety of plant control equipment such as door contacts, sprinkler flow switches and fire fan control systems.

The Single Input Output Device incorporates a single pole, voltage free change over relay contact output and a single monitored switch input. The input can be used to supervise one or more normally open contacts connected to a single pair of cables with monitoring provided for both open and short circuit fault conditions. The Input circuit is conditioned with de-bounce circuitry for enhanced noise rejection and is protected against high transient voltages.

The Ampac Single Input Output Device is loop powered and incorporates bi directional isolation circuitry to provide protection against detection loop short circuits. On board LED status indication is provided for service and commissioning purposes, a feature that can be deactivated during normal operation to reduce the current draw on the system.

Two packaging options are available. The 'DIN Mount' version enables the device to be mounted onto standard 35mm DIN rail or screwed direct to the back pan of a larger enclosure while the 'Enclosed' version allows the device to be surface mounted to a wall.

Schematic



DIN Mount version

Applications

- Fire Fans and Dampers
- Lifts and Door Contacts
- Sprinkler Systems
- Beam Detection
- Aspirating Systems
- HVAC Systems
- Tank Status
- Gas Valves

Specifications

Operating Voltage	17 - 28V DC	
Max Current at 24V DC	LEDs Enabled	LEDs Disabled
Quiescent Current	1.84mA	1.29mA
Input On	2.68mA	1.51mA
Output On	2.53mA	1.30mA
Total (All On)	3.49mA	1.58mA
Output Contact Rating	1A at 30V AC or DC	
Operating Temp.	-20°C +70°C	
Humidity	0 to 95% Non-condensing	
Dimensions	(H x W x D)	
DIN Mount	75mm x 110mm x 25mm	
Enclosed	150mm x 200mm x 52mm	
Enclosure (4210-0051)		
Cable Entry	4 Side 4 Rear Conduit knock outs Top Bottom	
Material	Grey ABS	
IP Rating	IP44	

Item Numbers

4210-0050	Single Input Output Device DIN Mount
4210-0051	Single Input Output Device Enclosed

Fire detection and evacuation solutions that save lives.

Single Input Output Device

Short Circuit Isolator Specification

Maximum line voltage - V_{\max}	28V dc
Minimum line voltage - V_{\min}	17V dc
Maximum voltage device isolates - $V_{SO \max}$	16V dc
Minimum voltage device isolates - $V_{SO \min}$	12V dc
Maximum voltage device reconnects - $V_{SC \max}$	17V dc
Minimum voltage device reconnects - $V_{SC \min}$	12V dc
Maximum rated current - $I_{C \max}$	1 A
Maximum rated switching current - $I_{S \max}$	3.3 A
Maximum leakage current - $I_{L \max}$	60 mA
Maximum series impedance switch closed - $Z_{C \max}$	100 m Ω