

Fire detection and evacuation solutions that save lives.

# Floor Mount Door Holder

## Features

- 200N (20kg) or 500N (50kg) Holding Force
- Robust Aluminium Construction
- Integral Release Switch
- Adjustable Swivel Keeper Plate
- Surface Cable Entry

## Description

The Floor Mount Door Holder features rugged cast aluminium housing, a holding electromagnet with integral anti-residual ejection pin and a manual release switch.

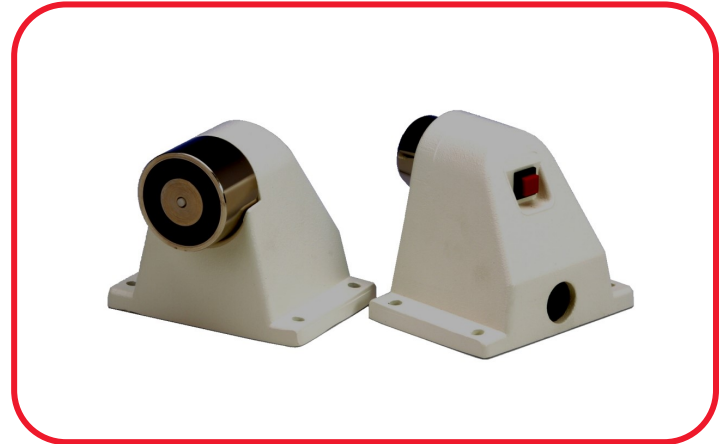
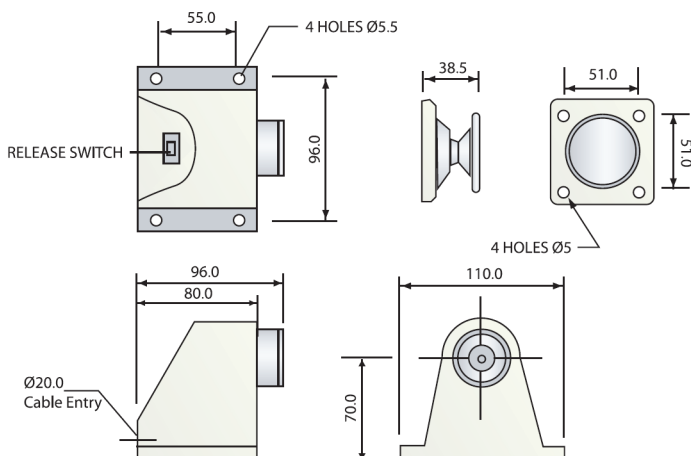
Designed to allow doors to be held open under normal conditions and released during a fire alarm condition, the Floor Mount Door Holders are simple to install and commission for a wide range of applications where maximum protection against vandalism or accidental damage is required. They are also suited to applications where the door is not opening near a wall. Applications include:

- Schools, Colleges and Universities
- Theatres and Cinemas
- Hospitals and Nursing Homes
- Manufacturing and Office Buildings

Cable entry is provided through the base or through a 20mm hole located in the rear of the housing.

The Floor Mount Door Holder is supplied as standard with an adjustable keeper plate which should be mounted on the door. An extensive range of alternative Keeper Plates are also available for special applications. Refer to PDS4101-6001.

## Assembly



Floor Mount Door Holder

## Item Numbers

|                  |  |
|------------------|--|
| <b>4101-2001</b> | Floor Mount 200N 24Vdc Door Holder                         |
| <b>4101-2002</b> | Floor Mount 500N 24Vdc Door Holder                         |
| <b>4101-2003</b> | Floor Mount 200N 24Vdc Door Holder inc Vandal Proof Switch |
| <b>4101-2004</b> | Floor Mount 500N 24Vdc Door Holder inc Vandal Proof Switch |
| <b>4101-6004</b> | Adjustable Keep Plate (spare)                              |

## Specifications

|                          | 4101-2001/3                                   | 4101-2002/4 |
|--------------------------|---|-------------|
| <b>Operating Voltage</b> | 24V dc  |             |
| <b>Current</b>           | 45mA  | 90mA        |
| <b>Holding Force</b>     |   |             |
| Newtons                  | 200N  | 500N        |
| Kilograms                | 20.4kg  | 51kg        |
| <b>Residual Force</b>    | Zero  |             |
| <b>Dimensions (mm)</b>   | 110 W x 95 H x 96 D                           |             |
| <b>Manual Release</b>    | Yes   |             |
| <b>Keeper Adjustment</b> | +/- 30°                                       |             |
| <b>Operating Temp.</b>   | -10° to +50°C                                 |             |
| <b>IP rating</b>         | IP51  |             |
| <b>Finish</b>            | Aluminium White Housing<br>Zinc Plated Magnet |             |
| <b>Approval</b>          | EN1155  |             |