



ADVANCED WARNING

SYSTEMS

FastSense 25



**High Sensitivity Detector
Installation and Operation**

MAN 2285-8

WORLD LEADER OF INNOVATIVE SOLUTIONS
IN FIRE DETECTION AND ALARM SYSTEMS



Table of Contents

Section	Page No
1	<i>Introduction</i>..... 1
2	<i>Indicators</i>.....2
3	<i>Inside the Detector</i>..... 3
3.1	Interior View.....3
3.2	Detector terminal block connections.....4
4	<i>Programming the Detector</i>..... 5
4.1	Introduction 5
4.2	Time and date5
4.3	Alarm levels 6
4.4	Alarm delays 6
4.5	ClassiFire override 6
4.6	Alarm factor 6
4.7	LDD enable 7
4.8	FastLearn enable 7
4.9	Auto FastLearn enable 7
4.10	ClassiFire 3D.....7
4.11	Demo mode.....7
4.12	Day start / Night start 8
4.13	Disable Day / Night switching 8
4.14	Remote functions 8
4.15	Programmed Isolate 8
4.16	Latching alarms 8
4.17	Latching faults..... 8
4.18	Cascading alarms..... 8
4.19	Device type 8
4.20	Firmware version..... 8
4.21	Run-time hours 9
4.22	Watchdog count 9
4.23	Device text 9
4.24	Reference detector 9
4.25	Reference enable..... 9
4.26	Reference level 9
4.27	Reference back-off 9
4.28	Flow rate 9
4.29	Flow high limit 9
4.30	Flow low limit..... 9
4.31	Aspirator speed 10
4.32	Access code 10
4.33	Chart recording rate 10
4.34	Separator condition..... 10
4.35	Separator change date 10
4.36	Factory default..... 11
5	<i>Other remote software features</i>..... 12
5.1	Reset 12
5.2	Chart recording..... 13
5.3	Load / save function settings..... 14

6	<i>Sampling Pipe Design</i>	15
6.1	Pipework.....	16
7	<i>Installation</i>	17
7.1	Docking station.....	17
7.1.1	Mechanical installation.....	18
7.1.2	Electrical installation.....	19
7.1.3	Power supply connections.....	19
7.1.4	Signal connections.....	20
7.1.5	Connecting ancillary cables.....	21
7.2	Final installation.....	21
7.2.1	Connecting ancillary cables.....	21
8	<i>Interfacing</i>	22
8.1	Setting the detector address.....	22
8.1.1	Address table.....	22
8.2	Connecting <i>FastSense25</i> to a SenseNet detector network.....	23
8.3	Connecting <i>FastSense25</i> to an addressable FACP.....	24
8.4	Connecting to a PC.....	25
9	<i>Event Log</i>	26
10	<i>Commissioning</i>	28
10.1	Commissioning checklist.....	28
11	<i>Maintenance</i>	29
11.1	Diagnostics.....	29
12	<i>Optional Extras</i>	31
12.1	Addressable Protocol Interface Card (APIC's).....	31
12.2	Extended Addressable Protocol Interface Card (APIC's).....	34
12.3	Input / Relay Card.....	35
12.4	Reset / Isolate Input Board.....	36
13	<i>Trouble shooting</i>	37
13.1	Nuisance alarms occur too often.....	37
13.2	Elevated smoke levels do not generate alarms.....	37
13.3	Low mean output.....	37
13.4	Detector sensitivity varies over time.....	37
13.5	Flow fault errors.....	37
13.5.1	"Low flow" error messages.....	37
13.5.2	"High flow" error messages.....	37
14	<i>Do's and Don'ts</i>	38
15	<i>FastSense25 specification</i>	39

1 Introduction

FastSense 25 incorporates a patented 'artificial intelligence' known as **ClassiFire**®, which allows the detector to configure itself to optimum sensitivity, alarm thresholds and minimum nuisance alarms for any environment.

ClassiFire intelligence also monitors the detector chamber and dust separator for contamination, continually adjusting the appropriate operating parameters to counteract the negative effects of such contamination.

The Ampac range of detectors is unique in being able to provide a consistent level of protection in a very wide range of environments by continuously making minor adjustments to sensitivity.

The Ampac range of detectors has proven its worth many times by detecting 'difficult-to-detect' slow growth electrical overload incipient fires in 'difficult' environments.

This handbook gives information likely to be needed for most installations, but for more detailed information on subjects such as Fresh Air Referencing, please refer to the complete Technical Manual or System Design Guide.

This equipment is Class 111 as defined in EN60950 or AS/NZS 3260:93 (i.e., this equipment is designed to operate from Safety Extra Low Voltages and does not generate any hazardous voltages).



This detector must only be installed by **FastSense 25** accredited installers.

This detector has an IP 50 rating and is not suitable for installation where it may be exposed to falling or spraying of any form of liquid or corrosive gases or chemical fumes.

The performance of the system is dependant upon the pipe network design. Any extension or modification to the designed network may alter the performance of the system. The correct operation of any such changes must be verified with the use of the **PipeCalculator**. **PipeCalculator** is available from your Local Ampac Customer Service Office.

Conduit entries to the **FastSense 25** unit are designed for 27mm outer diameter conduit. When using 25mm outer diameter conduit ensure that the 27mm to 25mm adaptors provided with the unit are fitted.

As this equipment is part of a fire detection system, it should be supplied from an approved power supply conforming to EN54-4, AS4428 Part 5 or to NZ4512.



This symbol appears on the main board of the unit and indicates that the board contain static sensitive components. Suitable anti-static precautions must be taken when handling the board, eg. for fuse replacement.



This label is located on the laser chamber at the bottom right of the open detector and signifies that the unit is a Class 1 Laser product as specified in IEC 60825-1 and AS2211. The unit incorporates a Class 3B embedded laser which must not be removed from the detector as retinal damage may result if the laser beam enters the eye.



This symbol indicates the Safety Earth studs (see sections 1.3 and 1.4). These are for grounding cable screens etc. and should not be connected to ØV or signal earth.

*Ampac has taken every care to ensure that **FastSense 25** is as simple to install as possible but in case of difficulty, please contact our Local Customer Service Office to ensure trouble free installation and operation.*

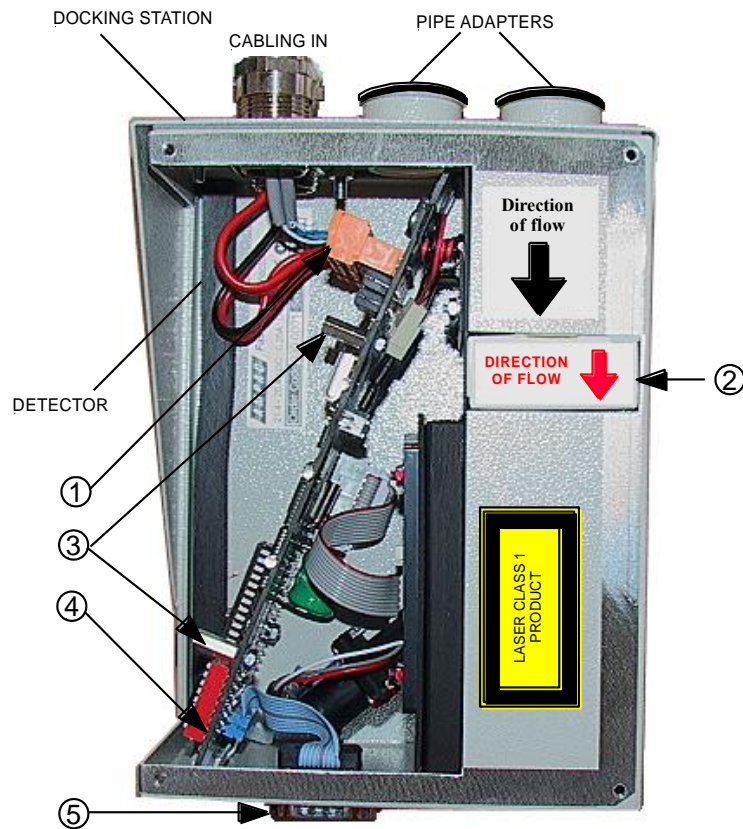
Ampac takes no responsibility for damage or injury occasioned as a result of failing to install or operate the equipment in accordance with these instructions.

2 Indicators

1. **Fire** indicator illuminates when the alarm level has been reached and the appropriate time delays have expired.
2. **Fault.** Illuminates when the unit has a fault and a fault signal is being sent to the fire alarm panel.
3. **OK.** Illuminates to show normal operation when there are no faults. The OK lamp will flash during the 15 minute Fast learn period when the detector is first learning about its environment.

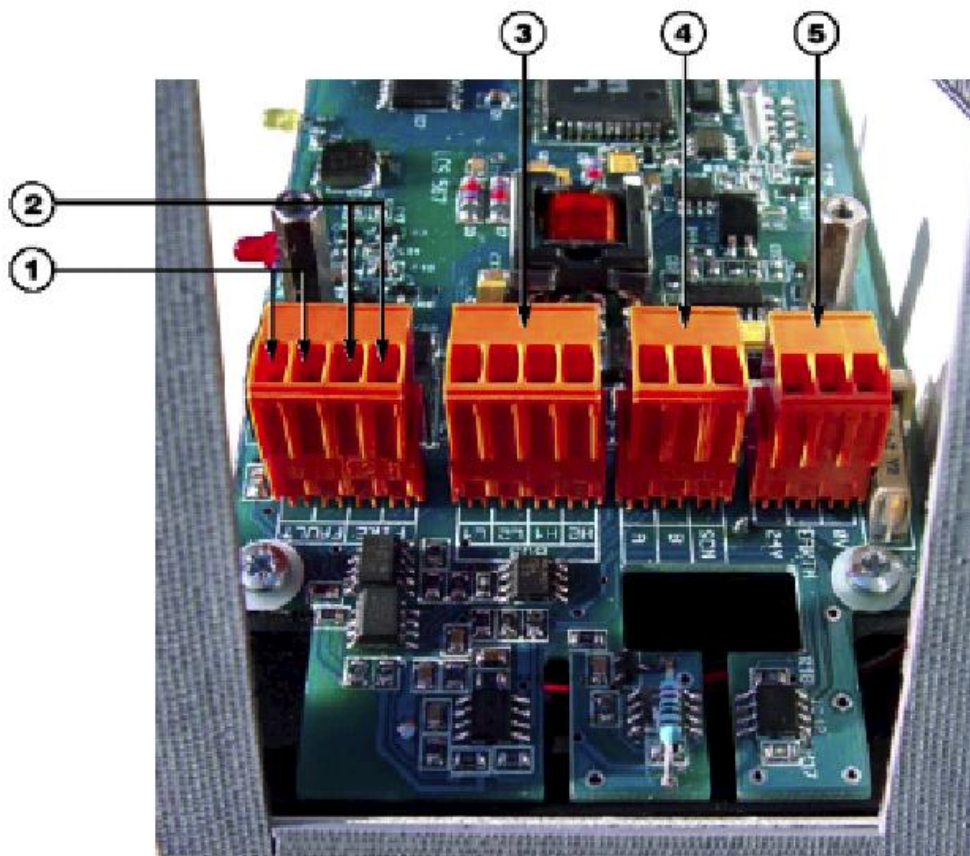
3 Inside the Detector

3.1 Interior View

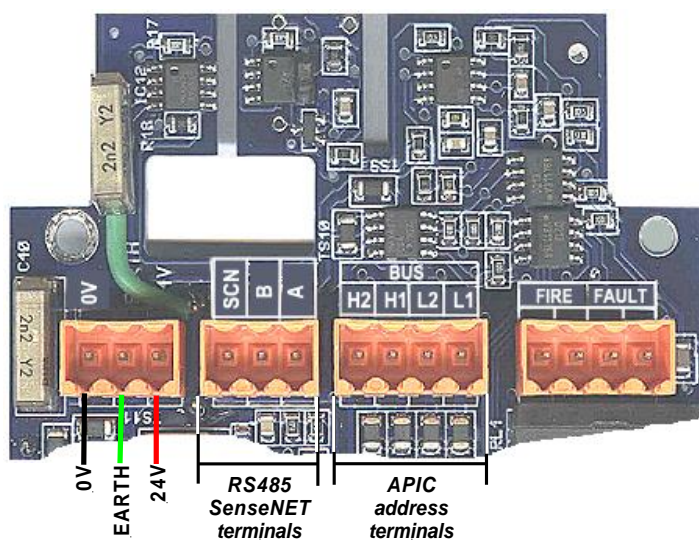



1. Removable terminal blocks
2. Filter (see Section 11)
3. Addressable bus interface card (APIC) port mounting (see Section 8)
4. Detector address DIP switch (See section 8)
5. RS232 serial port (see Section 8)

3.2 Detector terminal block connections



1. Normally closed FAULT relay contacts
2. Normally open FIRE relay contacts (See note)
3. APIC addressable bus connections for use in conjunction with
4. interface card (see Sections 7 and 8)
5. RS485 / SenseNET connections (see Sections 7 and 8)
6. Power supply connections (see Section 7)



 **Note:** Product for New Zealand is modified to accommodate “Normal closed FIRE contacts” to meet the requirements of NZS4512 – 2003.

4 Programming the Detector

4.1 Introduction

The **FastSense 25** may be programmed from a PC when connected to the detector via a standard 9-pin serial lead connected to the serial port of the computer and the 9 way socket at the base of the detector (see section 8.4, 'Connecting to a PC'). In order to do this, it is necessary to install the remote control software onto the computer. A copy of the remote control software is contained on a floppy disk supplied with each detector. Install the software in accordance with the on-screen instructions. To open the software, select "Start > Programs > Ampac > Remote 2.0"

The programmable functions are all accessed through the "Options Device settings" submenu or by clicking on the detector symbol in the remote software toolbar as indicated below.



Note: Must be connected to detector to see all fields



"The software will display a prompt for the detector's access code (see section 3.31). The default access code is 0102. When the correct code is entered, the programmable functions may be accessed and amended as required." The following screen appears.



This window contains all the programmable functions for the **FastSense 25**.

To amend one of the programmable functions, go to the relevant tab in the "Function settings" window, make the change and then click "OK". This will save the change to the detector's internal firmware. A list and explanation of the various functions is given below

4.2 Time and date

Time and Date tab

It is important that the time and date be set up correctly on the controller's internal calendar/clock because it uses this information to store events in the event log. (see Section 9, "Event log" for more details. The units are set with a factory default time, to set the required time. Set the time and initiate a FastLearn. The internal/calendar/clock is backed up with a rechargeable battery. Later adjustments to the clock setting should not exceed ± 70 minutes unless a FastLearn is initiated

4.3 Alarm levels

Alarm levels and delays tab, Level subgroup

The value set in the Fire, PreAlarm and Aux functions in the Level subgroup is the relatively scaled bargraph level at which the appropriate alarm is initiated on the detector. The Fire 2 level assigns an absolutely scaled alarm level in % obs/m.

The Aux level is set by factory default at level 10 which means that this alarm will occur after the Fire alarm. The default level settings for Pre-Alarm and Fire 1 are 6 and 8 respectively. The default setting for Fire 2 is 20% obs/m.

4.4 Alarm delays

Alarm levels and delays tab, Delay subgroup

The alarm delay is the number of seconds that an alarm level has to be continuously sensed before the alarm is initiated. Each alarm level has a programmable delay of between 0 and 90 seconds. The default delay for each alarm level is 5 seconds.



Note: For FastSense 25 systems installed in accordance with AS1603 PT8 and AS1670 PT1, Alarm delays should not be set to exceed 60 seconds.

4.5 ClassiFire override

Alarm levels and delays tab

This function has no current use on the FastSense 25 but are reserved for future expansion purposes.

4.6 Alarm factor

Alarm levels and delays tab

The detector sensitivity is set with this entry, which will also affect the probability of nuisance alarms. 0 = high sensitivity, higher probability, 8 = low sensitivity, lower probability. The default alarm factor is 4.

The highest sensitivity setting is suitable for clean, environmentally controlled environments, e.g. semiconductor manufacturing clean rooms where airborne pollutants are kept to an absolute minimum and the least contamination is cause for alarm. Use of this setting in a busy machine shop would lead to relatively frequent nuisance alarms due to the normal variation of atmospheric contamination and a lower sensitivity setting is recommended. It is therefore important that the alarm factor chosen is suitable for the area to be protected. When the appropriate alarm factor for the protected area has been set, nuisance alarms will be reduced to an absolute minimum.

The following table gives suggested settings of ClassiFire alarm setting for different locations

Alarm Factor	Sensitivity	Probability of Nuisance Alarm	Suggested Protected Area
0	Extremely High	Once per year	Semiconductor manufacturing clean room
1		Once per 5 years	Computer room
2		Once per 10 years	Non-smoking office
3		Once per 50 years	Clean factory
4	Medium	Once per 1000 years	Warehouse
5	Medium	Once per 5,000 years	Warehouse with diesel trucks operating
6	Medium	Once per 10,000 years	Warehouse with diesel trucks operating
7	Low	Once per 20,000 years	Warehouse with diesel trucks operating
8	Low	Once per 100,000 years	Warehouse with diesel trucks operating

4.7 LDD enable

Alarm levels and delays tab

When this function is ticked, Laser Dust Discrimination (LDD™) increases the response time of the detector slightly, whilst greatly reducing the likelihood of nuisance alarms due to dust ingress. LDD may be disabled in very clean rooms for a slightly faster response to smoke by unticking the box. This function is enabled by default.



Note: *Disabling LDD is not recommended for areas other than manufacturing clean rooms, due to the increased probability of nuisance alarms in most other operating environments.*

4.8 FastLearn enable

Alarm levels and delays tab

If the detector is in FastLearn mode, unticking this box will stop the FastLearn process. Using the function in this way is neither recommended nor supported by Ampac. A FastLearn should always be allowed to run its course. Ticking the box will start a FastLearn at any time. The green “OK” LED on the front of the detector will flash for the fifteen minutes that it takes for the FastLearn process, and will then change to constant illumination to indicate that the FastLearn is complete.

4.9 Auto FastLearn enable

Alarm levels and delays tab

When enabled, this function ensures that if the detector is powered off for any reason (e.g. for maintenance or to be moved to a new area), a FastLearn is commenced automatically

on power-up. There may be occasions when it is desirable to power down the detector for short periods of time, and it is highly likely that ambient contaminant levels will be the same on power-up. Under these circumstances it may not be desirable that the detector should go through the whole learning process again. To this end, this function can be unticked before power-down, whereupon it will return to the original settings on power-up. This function is enabled by default.



Note: *It will take a further 24 hours after the FastLearn for full sensitivity to be reached, unless Demonstration Mode has been initiated (See section 4.11, “Demo mode”). It is essential for proper functioning that the detector not be left in Demonstration mode, and that it be allowed to complete the 24-hour learning period. To cancel demo mode, tick this box or power down and restart the detector to initiate FastLearn mode.*

4.10 ClassiFire 3D

Alarm levels and delays tab

If this function is ticked, then the detector will ignore any pre-set time delays in the event of an unacceptably rapid increase in smoke density, thereby minimising response time to 'rapid growth' fires. This function would normally only be used where there were long time delays programmed on the alarm levels. This function is disabled by default.

4.11 Demo mode

Alarm levels and delays tab

Demonstration mode is an operating mode whereby the normal 24-hour learning period is bypassed, so that the detector can reach high sensitivity after only the 15 minute FastLearn period. This can be used so that initial smoke testing and other commissioning can be carried out.



Note: *However, it must be understood that, since the alarm levels will be based solely upon the sparse data gathered during the FastLearn period, there is a risk of nuisance alarms due to normal variations in ambient smoke levels. For this reason, the detector should not be left in Demo mode for normal use when connected to a fire panel.*

4.12 Day start / Night start

Day/Night switching tab

These values are the times to the nearest hour at which the day/night switching is desired to take place on the detector. Entries are made in 24-hour format, e.g. 19 for 7pm. Day and night switching is intended so that the detector may automatically select a different sensitivity when the protected area is unoccupied and fewer contaminants are being produced. ClassiFire automatically detects the change in smoke level after the protected area is left, and if the time at which this happens is within + 70 minutes of the programmed switchover time it selects the night-time histogram. This means that changes in time setting, e.g. changing to summer time, may be ignored as the detector will take this into account. The default times for day and night start are 08:00 and 19:00 respectively

Note that if the environment actually becomes more contaminated during the night period for any reason then ClassiFire will adapt to that too, reducing the night-time sensitivity.

4.13 Disable Day / Night switching

Day/Night switching tab

If day/night switching is not desirable, the Disable day/night switching box may be ticked to leave the detector permanently in day mode.

4.14 Remote functions

Alarm actions tab, Remote input subgroup

These functions have no current use on the FastSense 25 but are reserved for future expansion purposes.

4.15 Programmed Isolate

Alarm actions tab

When this function is ticked the controller will not generate alarms and will not indicate a fault condition on any FACP which is connected, e.g. for use during detector maintenance. The "Fault" light will be illuminated on the detector front panel. The isolated condition will be disabled automatically after 7 days if not manually disabled. This function is disabled by default.

4.16 Latching alarms

Alarm actions tab

When this function box is ticked it requires a reset from the controlling computer to clear an alarm condition. If unticked, the alarm signal is extinguished as soon as the alarm condition ends. This is the factory default setting.

4.17 Latching faults

Alarm actions tab

When this function box is ticked it requires a reset from the controlling computer to clear a fault condition. If unticked, the fault signal is extinguished as soon as the fault condition ends. This is the factory default setting.

4.18 Cascading alarms

– Alarm actions tab

Ticking this function box means that only when the detector's controller has gone into Pre-Alarm does the controller start counting down the main Fire delay i.e. the time delays on Pre-Alarm and Fire 1 are cumulative. The Aux alarm is not included in the cumulative delay since it may be set to a higher level than either the Pre-Alarm or Fire 1 levels. This function is enabled by default.

4.19 Device type

Device information tab

This function is for display purposes only. It shows any special designation for the unit, which will normally be FastSense 25.

4.20 Firmware version

Device information tab

This function is for display purposes only. It shows the version number of the fitted firmware chip.

4.21 Run-time hours

Device information tab

This function is for display purposes only. It shows the cumulative total number of hours that the device has run (NB: this is not the time that has elapsed since last power-up, but the sum total of run time since the detector memory was last reset).

4.22 Watchdog count

Device information tab

The watchdog is a circuit built into the controller that restarts the controller in the event of a failure to function properly. This could be as a result of electrical spikes. This count shows the number of interruptions found. The details of each problem can be found in the event log. See Section 9, "Event log" for further details.

4.23 Device text

Device information tab

This function has no current use on the FastSense 25 but is reserved for future expansion purposes.

4.24 Reference detector

Referencing tab

A FastSense 25 detector may use another detector as a fresh air reference. This function is the address of the detector which will be used as the reference. To set a detector as a reference detector, enter its address as set by its internal DIP switch into this function. This function is disabled by default.

4.25 Reference enable

Referencing tab

Ticking this box enables the reference for the detector, if one has previously been allocated in Reference detector (see section 4.24) This function is disabled by default.

4.26 Reference level

Referencing tab

The value set with this function is the percentage reference signal subtracted from the detector's signal, if a reference device has been allocated. The default value is 0.

4.27 Reference back-off

Referencing tab

This value is the delay time between a build up of pollution being seen by the reference (if used) and the pollution being seen by the detector. The default value is 15.

4.28 Flow rate

Flow monitoring tab

This function is for display purposes only, and shows a value corresponding to the current airflow through the detector.

4.29 Flow high limit

Flow monitoring tab

This value is the level above which airflow needs to increase to trigger a fault indication (which may indicate a loose or damaged inlet pipe).

Flow low limit and Flow high limit are automatically set up on initial power-up.

4.30 Flow low limit

Flow monitoring tab

This value is the level below which airflow needs to be reduced to trigger a fault reading (which may

indicate a blocked pipe).

Flow low limit and Flow high limit are automatically set up on initial power-up.

4.31 Aspirator speed

Flow monitoring tab

This function has no current use on the FastSense 25 (reserved for future expansion).

4.32 Access code

Miscellaneous tab

This function has no current use on the FastSense 25 (reserved for future expansion).

4.33 Chart recording rate

Miscellaneous tab

This function controls how frequently the detector and alarm level or flow rates are stored in the FastSense 25's internal chart recorder log. (see Section 5.3, 'Chart recording').

The chart log recording rates are as follows.

Setting	Type	Storage Interval	Time per Division on Chart Log
0	Detector output	1 second	10 seconds
1	Detector output	5 seconds	50 seconds
2	Detector output	12 seconds	2 minutes
3	Detector output	30 seconds	5 minutes
4	Detector output	1 minute	10 minutes
5	Detector output	2 minutes	20 minutes
6	Detector output	5 minutes	50 minutes
7	Detector output	10 minutes	100 minutes
8	Detector output	20 minutes	200 minutes
9	Detector output	50 minutes	500 minutes
10	flow recording	1 second	10 seconds
11	flow recording	5 seconds	50 seconds
12	flow recording	12 seconds	2 minutes
13	flow recording	30 seconds	5 minutes
14	flow recording	1 minute	10 minutes
15	flow recording	2 minutes	20 minutes
16	flow recording	5 minutes	50 minutes
17	flow recording	10 minutes	100 minutes
18	flow recording	20 minutes	200 minutes
19	flow recording	50 minutes	500 minutes

In the above table the greyed section indicates flow rate recording while the white section indicates detector and alarm level recording.

At the slowest recording rate, one month of data can be recorded. The factory default setting is 8.

4.34 Separator condition

Miscellaneous tab

The value given at this function is the efficiency rating of the dust separator element in the detector as a percentage of the efficiency of a clean separator. A new element will give a reading of 99 in this function. When the efficiency has decreased to 80%, the Fault indicator LED will illuminate and the event log will show "Separator renew".



Note: Fitting a new element will reset this figure to 99

4.35 Separator change date

Miscellaneous tab

This function defaults to "--", which means that a separator fault will only appear when the efficiency decreases to 80% (see 4.34, "Separator condition"). However, a date may be entered into this function to allow for a scheduled maintenance period. The detector will then generate a separator fault at the planned time regardless of the condition of the separator, although degradation of the

separator to below 80% efficiency before this date will override this.

See section 11, "Maintenance" for further details.

4.36 Factory default

Miscellaneous tab

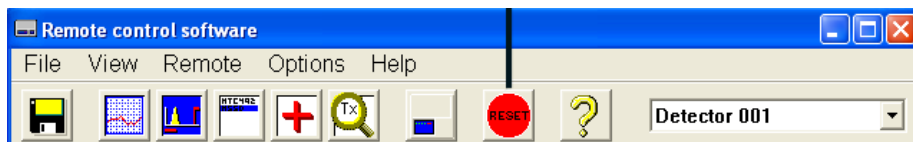
Enabling this function will reset each programmable function to the default value indicated in the text, where a default setting is specified. It will also put the detector into FastLearn mode, regardless of whether or not Auto Fastlearn is enabled (see Section 4.8). This ensures that the flow setups and alarm thresholds are optimised to the detector's working environment after resetting. It should be noted that where a ClassiFire alarm factor other than the default is required for the protected area, this will need to be re-entered. Section 4.6 gives details of the ClassiFire alarm factors.

5 Other remote software features

5.1 Reset

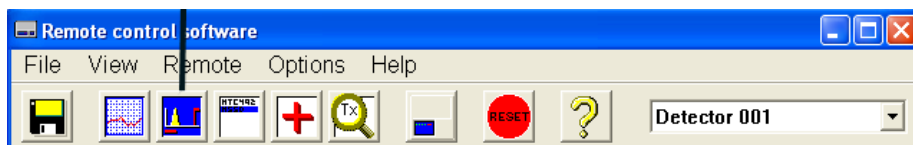
If latching alarms (see Section 4.16) or latching faults (see Section 4.17) are enabled, the relevant alarm or fault warnings will remain on the detector front panel LED's and controlling unit until a reset is performed. If using SenseNET software, individual detectors can be reset (refer to the SenseNET User Guide for details). In the remote software, a global reset is available which resets all detectors on the SenseNET loop, or a single stand-alone detector.

To perform a reset, either select the menu options "Options Global Reset" or click the symbol indicated below.

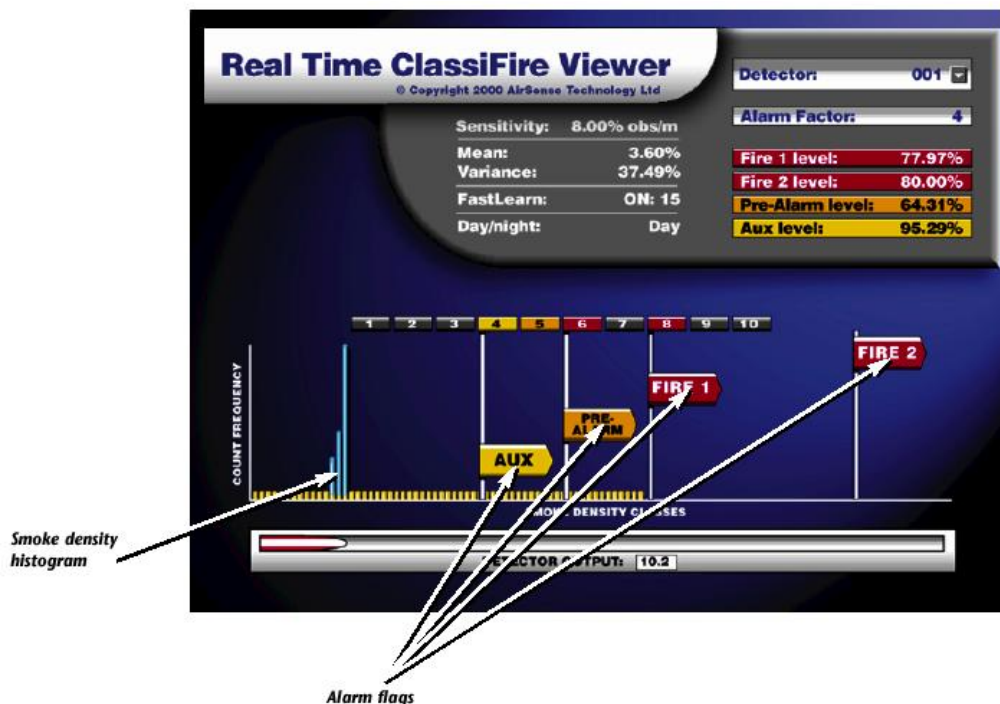


Histogram screen

The histogram screen shows various aspects of the detector function. To enter the histogram screen, either select the menu options "View > Histogram viewer..." or click the symbol indicated below.



The following screen appears:



There are two types of smoke density histogram; one shown in blue (the "fast" histogram) which updates every 15 minutes, feeding information to the long-term "slow" histograms (which appear in yellow). These set the detector sensitivity based on the ambient smoke conditions and it takes 24 hours for the two slow histograms (the "day" and the "night" histograms) to complete their learning phase.

Detector sensitivity is based on the fast histogram during FastLearn and is thereafter based on the currently active slow histogram. However, although the positions of the alarm flags are based on the slow histogram, sudden changes in smoke density are picked up by the fast histogram so that early warning is given.

Sensitivity: The current absolute sensitivity of the detector in percentage obscuration per metre (% obs/m)

Mean: The current mean value of smoke density, taken from the currently “active” histogram and given as a percentage of full scale deflection.

Variance: The “spread” of data in the currently “active” histogram and given as a percentage of full scale deflection.

FastLearn: If the detector is currently in FastLearn mode, this will show the number of minutes remaining in the FastLearn period. When this period has elapsed it will read “OFF”.

Alarm factor: This is the **ClassiFire** alarm factor (see Section 4.6, “Alarm factor”)

Day/night: This indicates the currently active slow histogram

Alarm levels: These figures give the position of the various alarm flags in terms of a percentage of full scale deflection.

Detector output: This shows the real-time variation in background smoke levels in terms of a percentage of full scale deflection.

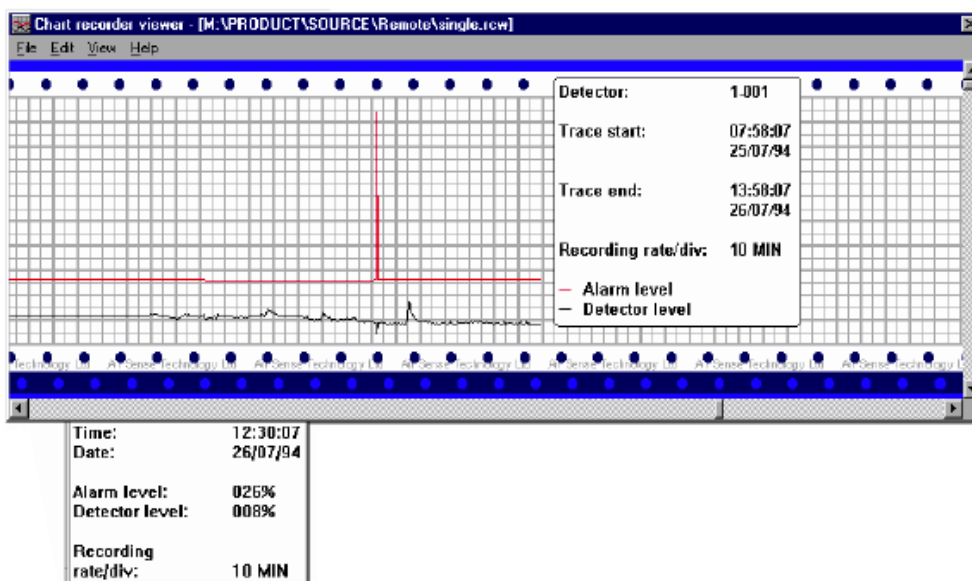
5.2 Chart recording

The chart recording function shows how smoke density in the protected area has varied over time. The chart may be downloaded to disk or printed out from a connected printer.

To access the chart log, select the menu options “View > Chart recording...” or click the symbol indicated below.



The following screen appears:



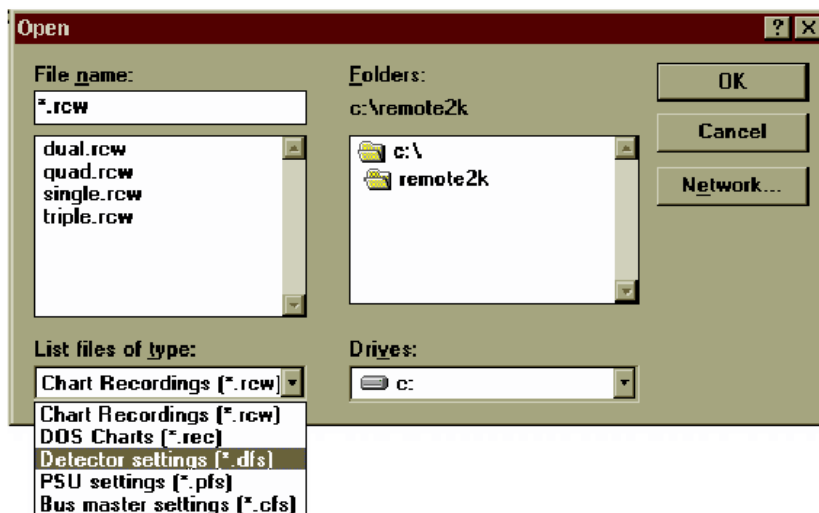
The red trace is the current alarm level and the black trace is the detector output. By moving the cursor along the chart, the “Chart information” window (shown at the bottom left) updates to show the date and time, detector level and alarm level of the relevant period. The ‘File’ menu option in the chart recording window allows the chart recording to be saved to disk or printed to a connected printer, and allows a previously saved chart recording to be loaded. Chart recording files have the extension “.rcw”.

5.3 Load / save function settings

Where a custom set of programmable function settings is commonly used, these may conveniently be saved to or loaded from disk. To open a detector function settings (.dfs) file, select the menu options “File Open” or click on the symbol indicated below.



Click on the “List files of type” drop-down box and select “Detector settings (*.dfs)” as indicated below.



A list will appear of all detector settings files stored on the current drive. As a special case, if desiring to recall the factory default settings, there is a file named 'default.dfs' in the 'remote2k' directory. Loading this file will reset the detector to the factory default.

6 Sampling Pipe Design

Above ceiling sampling with exposed detector

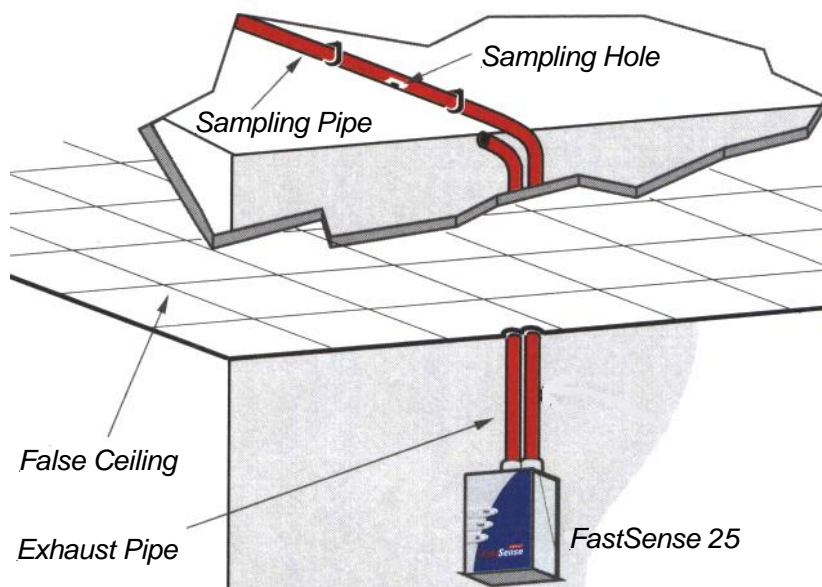
Simple designs with short sampling pipes produce the best results. Complex sampling pipe runs should be avoided with the FastSense 25 detector. The use of 'T' branch-pipes is not recommended. Always locate the sampling points in positions to which smoke may reasonably be expected to travel. Do not expect ceiling mounted sampling points to operate satisfactorily if air flow from air-conditioning systems keeps the cool smoke from an incipient fire reaching from reaching ceiling level. In this instance it is usually better to locate the sampling pipe directly in the airflow (for example across the return air register of an air conditioning unit).

There is no substitute for carrying out smoke tests prior to installation of pipe work to indicate suitable sampling point location.

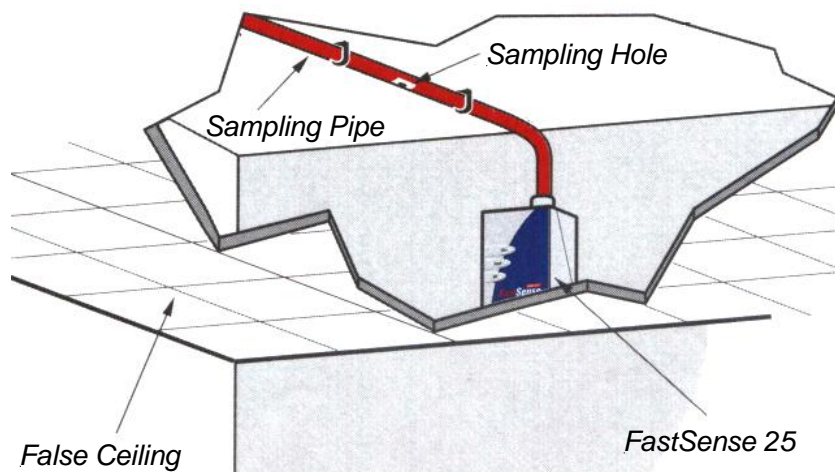
Aspirating system design is inherently simple. It is often possible to achieve good system performance with very simple installations. There are however a few rules which must be adhered to. The information contained in this Handbook is intended as an overview only. For further information please see the complete System Design Guide.

Do not expect one detector to achieve good performance if sampling from areas of different air pressure (typically: underfloor air plenums and room spaces or different rooms in air-conditioned areas). This is because the air pressure differences may cause reverse or poor airflow along the sampling pipe. If it is not possible to locate the detector within the protected area it may be necessary to lead an exhaust pipe from the detector exhaust port returning air to the protected area.

The piped exhaust docking station needs to be used in this case.



Above ceiling sampling with detector mounted in ceiling void



Always locate the sampling points in a position to which smoke may reasonably be expected to travel. This may sound obvious, but, for example, do not expect ceiling mounted sampling points to operate satisfactorily if air flow prevents the cool smoke from an incipient fire from reaching ceiling level. In this instance it is usually better to locate the sampling pipe directly in the airflow (for example across the return air register of an air conditioning unit). There is no substitute for carrying out smoke tests prior to installation of pipe work to indicate suitable sampling point location.

To assist in design and to verify system performance, it is advisable to use the PipeCalculator sampling pipe modelling software.

IMPORTANT notes on sampling pipe design.

The FastSense 25 detector is primarily designed to be capable of localising incipient fire incidents. As such, it has very limited sampling pipe capability in comparison to products such as the FastSense PLUS, which would normally be used for large area protection. The manufacturer strongly recommends that the design requirements provided here be strictly adhered to.

6.1 Pipework

Please consider these important notes below when designing a system employing the FastSense 25 detector.

Maximum sampling pipe capability is 25 metres with 10 sampling points. This will only be achievable in still air. Air movement in the vicinity of the sampling pipes will reduce this sampling pipe capacity greatly.

If the FastSense 25 detector is employed to sample high velocity air (greater than 5 metres per second), as found in the vicinity of Air Handling Unit air intakes, then maximum sampling pipe length will be reduced to 6 metres.

No more than ONE Air Handling Unit may be protected with one FastSense 25 detector.

7 Installation

Before installing the detector the local standards for installation of aspirating detection systems must be consulted as these standards differ throughout the world. Specific advice for one country may not be applicable to another. The following is a brief set of guidelines on installing detectors.

The detector will normally be mounted at a level where there is easy access to the unit for configuration and programming.

The exhaust air from the unit must not be impeded in any way. If the unit is mounted in a different air pressure from where the air is being sampled (for example an air duct), then a pipe must be taken from the exhaust port back to the same air pressure zone as the sampling holes.

All signal cables must be screened and must be of a suitable type. The specific type of cable will normally depend upon the local fire regulations.

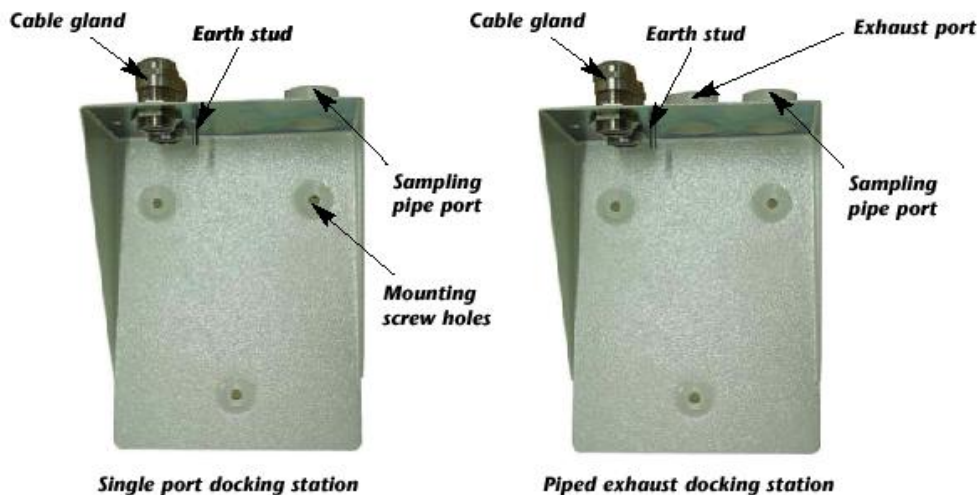
The unit must not be placed in areas where either the temperature or humidity is outside the specified operating range.

The unit should not be placed in close proximity to any equipment expected to generate high Radio Frequency levels (such as radio alarms) or units generating high levels of electrical energy (such as large electric motors or generators).

7.1 Docking station

The basic principle behind installation of the FastSense 25 is that all wiring and pipework is installed using a docking station. This is a convenient feature which means that the detector can be dismantled or replaced without disturbing any wiring or installed pipework.

There are two types of docking station, one with a single inlet port for aspirating pipework, the other with a second port allowing the detector exhaust air to be taken back to the area of different atmospheric pressure from which the inlet is sampling (see Section 6, "Sampling Pipe Design").



The size of sampling inlet and exhaust holes in the detector is designed to accommodate 27mm OD pipe. If 25mm OD pipe is to be used the supplied grey sampling pipe adapters are inserted into the sampling inlet and exhaust outlet of the detector prior to fitting the sampling pipe.



Fitting the pipe adapter

7.1.1 Mechanical installation

The docking station is connected to the installed sampling pipework and fixed to the wall or mounting surface using 3 off screws of a type appropriate to the mounting surface. Ensure that the sampling and/or exhaust pipes are securely seated in the pipe ports before fixing. If using a piped exhaust docking station be sure that the sampling and exhaust pipes are fitted into the relevant ports as shown in Section 7.1.

7.1.2 Electrical installation

The FastSense 25 detector is supplied with removable terminal blocks (See illustrations in Section 3). These are simply removed from their sockets by lifting them up at right angles to the circuit board. Take note of the orientation of each terminal block and its function before removing it. It may also be beneficial to mark the connection wires with suitable identification labels or coloured rings to aid in the connection process.



Note: All connections should be made with the power turned off.

7.1.3 Power supply connections

The power supply cable should be of screened type and should be led through the metal cable gland provided, leaving about 35mm of the cable extending from the bottom of the cable gland. Depending on the type of cable used, it may be necessary to increase the diameter of the cable with sleeving or insulating tape to ensure that the cable is firmly held and a seal is provided when the cable gland is fully tightened.



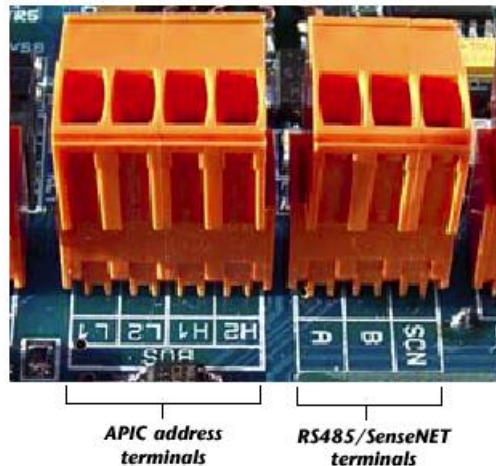
Remove the detector cover by unfastening the four screws at the front of the unit and detach the power supply terminal block. This is at the top left with the detector held with the serial port at the bottom of the unit.



Note: the orientation of the terminal block.

Connect 0V and +24VDC to the "0V" and "24V" screw terminals respectively. Connect the screen wire to the earth stud on the docking station and connect a second wire from the "Earth" terminal to the docking station earth stud. The picture in Section 7 shows the location of the earth stud. Fix the earth wires in place with the nuts provided.

7.1.4 Signal connections

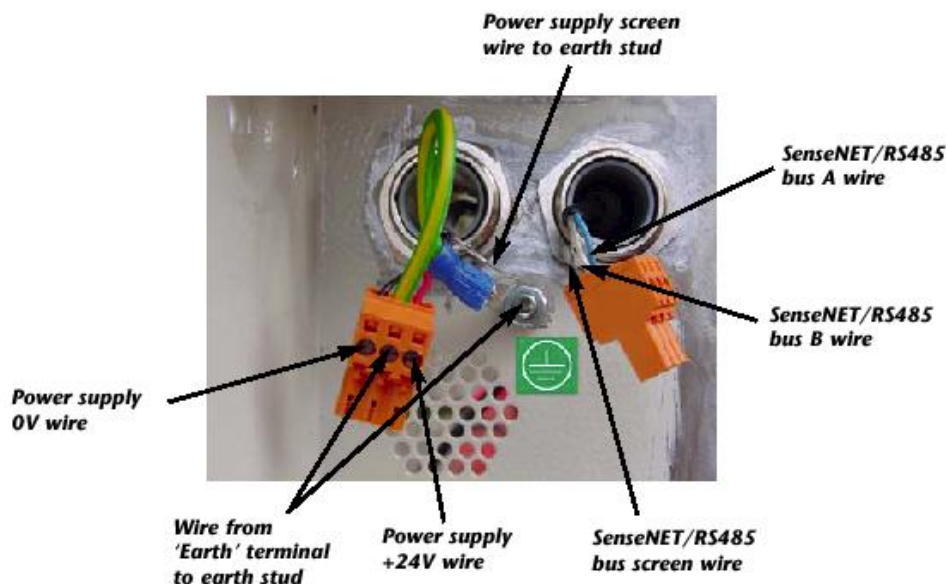


To connect the signal wire, lead a suitable wire type through the second cable gland and tighten it into position with about 35mm of cable from the bottom of the cable gland.

Remove either the three-way terminal block next to the power supply socket if connecting the detector to a SenseNET system, or the four-way "Bus" terminal block if connecting the detector to an alarm panel in conjunction with the APIC addressable bus card. For example, in a SenseNET system using screened cable, connect the screen wire(s) to the "SCN" terminal, Bus A wire(s) to the "A" terminal and Bus B wire(s) to the "B" terminal.

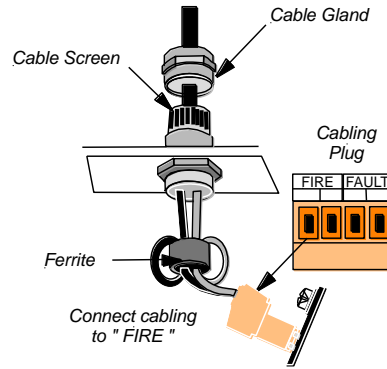
If the detector is in the middle of a SenseNET chain, with input and output connections, it may be more convenient to link the common Bus A, Bus B and screen wires to single A, B and screen wires for linking to the terminal block.

The following illustration shows the power and signal connections to the docking station for connection to a single SenseNET cable.



Note: Depending on the type of cable used, it may be necessary to increase the diameter of the cable with sleeving or insulating tape to ensure that the cable is firmly held and a seal is provided when the cable gland is fully tightened. If a cable gland is unused it must be sealed using the bung provided with the unit.

7.1.5 Connecting ancillary cables



Note: For the system to meet full EMC compliance requirements ensure the wiring to the "FIRE" terminals is looped through the supplied ferrite ring.

7.2 Final installation

7.2.1 Connecting ancillary cables

Once the power and signal connections are made slide the detector body up into the docking station and fasten it into position using the two M4 pan head screws provided. Slot the power and signal terminal blocks into the relevant sockets on the detector PCB (they will only click fully home in the correct orientation) and replace the detector cover using the four M3 pan head screws provided.

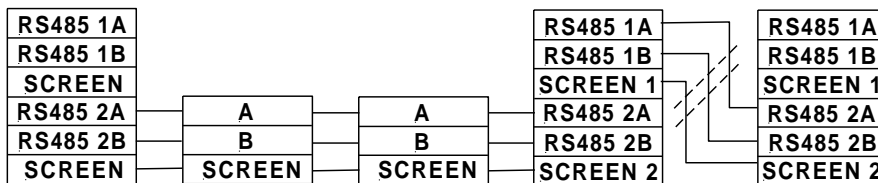
Note: The detector is designed solely for operation with the front cover securely fitted using all four fixing screws.

Removing the detector is simply the reverse of this process, leaving the pipe-work and wiring connections installed in the docking station.



8.2 Connecting FastSense25 to a SenseNet detector network

Up to 127 detectors may be linked in a single SenseNET bus, supporting a total length of wire between adjacent detectors of up to 1.2km.



Command Detector 1 Detector 2 Detector 3 Detector 127
 Module (FastSense25) (FastSense25) (FastSense PLUS) (FastSense PLUS)

In the above example, two FastSense 25 detectors are linked into a 127-detector bus with a Command Module and a number of FastSense PLUS detectors. It will be noted that whereas the FastSense PLUS units have two input / output buses (1A / 1B and 2A / 2B), the FastSense 25 has only a single such bus (A / B) and therefore each bus terminal has an input and an output wire, compared with a single wire in each terminal in the FastSense PLUS.

For this reason, it may be easier to join the input and output wires for each bus and screen connections together and to solder or crimp a single wire or connecting ferrule to each wire pair so that they are easier to fit into the screw terminals. If this is done it is recommended that bare wire joints be insulated to prevent possible shorting of the data bus, which will cause a drop-out of data on the SenseNet bus.

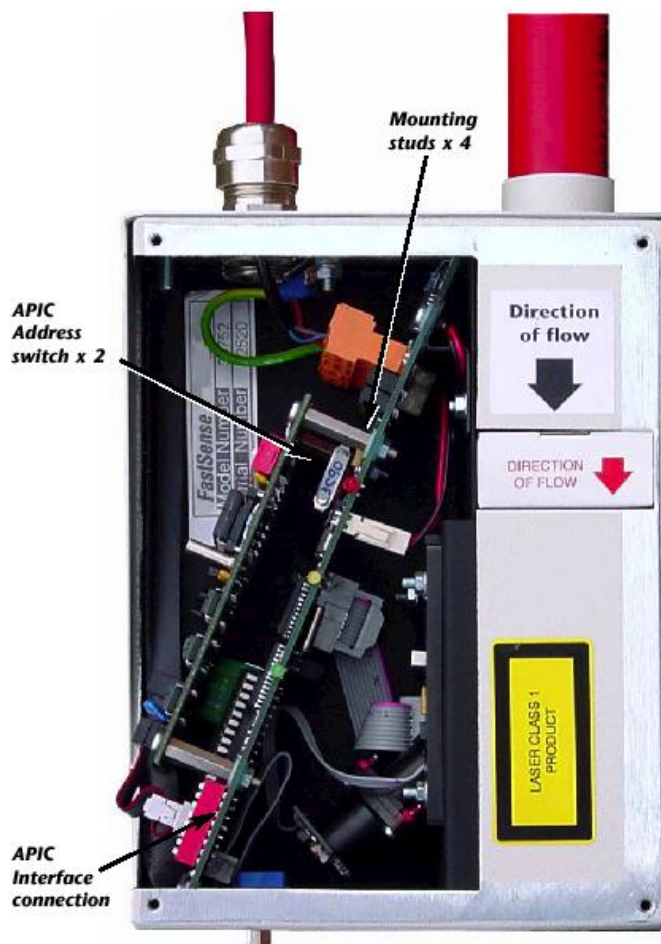
In the above example, there could be a total length of RS485 cable of up to 1.2km between the Command Module and Detector 3, since these are all on a single bus. However, Detector 3 is a FastSense PLUS which has a second communications bus (RS485 bus 2) and an RS485 repeater. This allows a further total of 1.2km of cable until the next FastSense PLUS in the RS485 loop.

In the above example, if detectors 4-126 (not shown) were all of the FastSense 25 type then the total length of wiring between detectors 3 and 127 would be limited to 1.2km. However, each additional FastSense PLUS detector wired up using both RS485 buses would allow an additional 1.2km of cabling to be added to the RS485 loop.

8.3 Connecting FastSense25 to an addressable FACP

An Addressable Protocol Interface Card (APIC) may be used to decode detector information and to relay this to a FACP.

The APIC is fitted to the four mounting studs on the FastSense 25 PCB using the supplied screws as shown below:



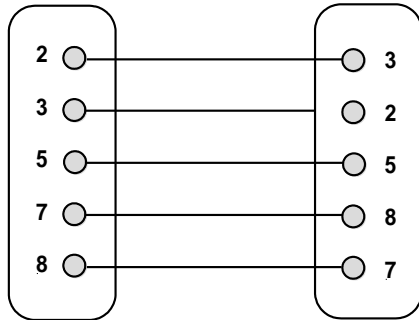
The connections to the Fire Panel are made using the BUS L1 and H1 (bus 1 input and output) and the BUS L2 and H2 (bus 1 input and output) terminal connectors shown in Section 7.1.4.

The only settings that need to be made are on the APIC address DIP switches. The start loop address is entered on SW1 and the end loop address on SW2. In the case of a single FastSense 25 the start and end addresses will be the same.

The detector address on the SenseNET loop and the Fire Panel addressable protocol address are the same, i.e. no address translation is performed. Some protocols may not support all the available alarm levels and fault reporting is usually a general fault with no detailed fault information. Please consult the specific APIC protocol documentation for more information.

8.4 Connecting to a PC

To connect a single stand-alone detector to a PC, connect the PC's serial port directly to the detector's 9-way RS232 port. Connections for this cable are shown below.



9 pin female 'D' Connector

9 pin female 'D' Connector



9 Event Log

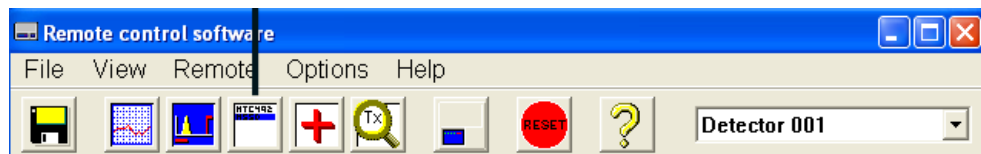
An event is defined as;

- a change to any programmed function
- a signal received from an external controller such as the remote software, APIC or SenseNET
- a detector output level meeting or exceeding the Pre-Alarm, Aux, Fire 1 or Fire 2 alarm thresholds
- a fault condition such as a flow or separator fault
- start of day / night operation
- demonstration mode start / stop
- FastLearn start / stop
- Power on or off

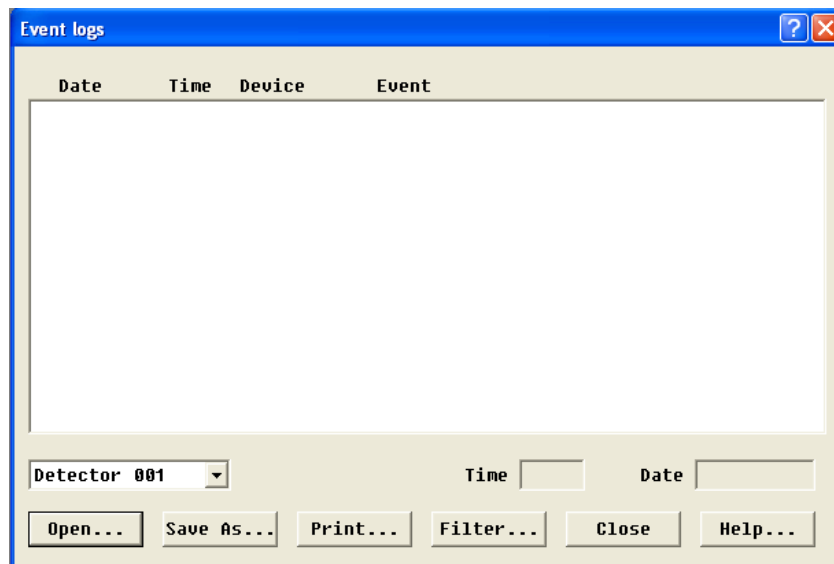
The detector stores an internal log of the last 200 events, and this can either be viewed on a PC screen or downloaded to disk by use of the remote control software.

When the event log is full (200 events are stored) and a new event occurs, the oldest event in the log is deleted (First-In, First-Out).

To download the event log, connect a PC to the detector serial port and run the remote software. Either select the menu options "View Event log" or click on the event log symbol as indicated below.



The following screen appears;



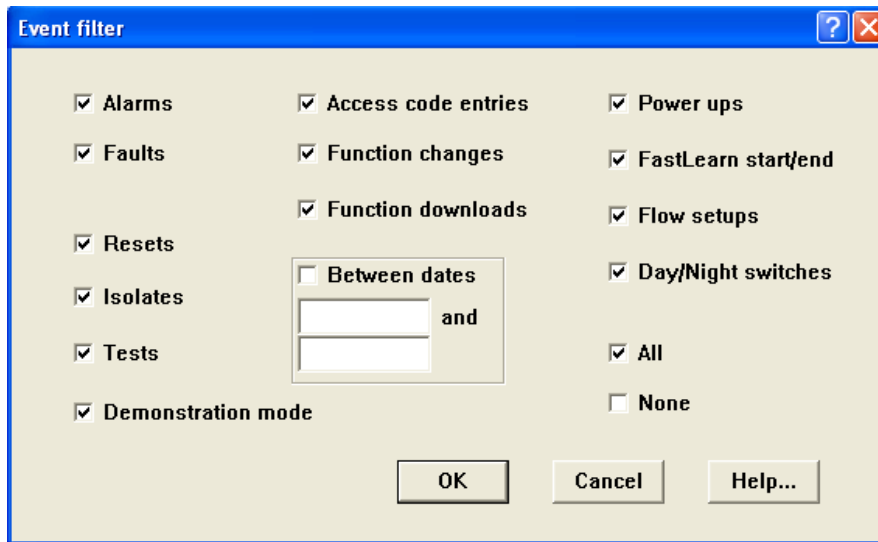
This shows the time and date of each event stored in the log along with its general description. The buttons at the bottom of the screen allow control over the input and output of the log.

Open: opens a previously saved event log. Event logs have the file extension ".evl".

Save As: saves the current event log as a .evl file with a user defined name.

Print: prints the event log to a connected printer.

Filter: clicking on this option brings up the following screen:



The 'Event filter' dialog box contains the following options:

<input checked="" type="checkbox"/> Alarms	<input checked="" type="checkbox"/> Access code entries	<input checked="" type="checkbox"/> Power ups
<input checked="" type="checkbox"/> Faults	<input checked="" type="checkbox"/> Function changes	<input checked="" type="checkbox"/> FastLearn start/end
<input checked="" type="checkbox"/> Resets	<input checked="" type="checkbox"/> Function downloads	<input checked="" type="checkbox"/> Flow setups
<input checked="" type="checkbox"/> Isolates	<input type="checkbox"/> Between dates [] and []	<input checked="" type="checkbox"/> Day/Night switches
<input checked="" type="checkbox"/> Tests		<input checked="" type="checkbox"/> All
<input checked="" type="checkbox"/> Demonstration mode		<input type="checkbox"/> None

Buttons: OK, Cancel, Help...

This allows the user to limit the information printed or viewed on the PC screen.

For example the user might wish to concentrate on alarm events only. To do this, click on "None", which unticks all boxes, and then on "Alarms". To tick all the boxes, tick "All".

Any or all of the event categories may be selected or deselected as desired.

10 Commissioning

Before commissioning the detector the local standards of aspirating detection systems must be consulted. These standards differ widely throughout the world and specific advice for the market in one country may not be applicable to another.

Commissioning strategy will initially depend upon the environment in which the detector is installed. For instance, the test for a computer room (which should be a relatively clean environment) would be very different from, say, a flour mill, which would probably have a high level of airborne particulate content.

A widely accepted standard for computer rooms/EDP areas is British Standard BS6266, equipment overheating at a stage well before combustion. To perform the test electrically overload a 1 metre length of PVC insulated wire of 10/0.1mm gauge for one minute using an appropriate power supply. The detector has two minutes from the end of the wire burn to give an alarm indication.

For areas with higher levels of background particulate matter testing methodology would be similar to that of standard point detectors.

10.1 Commissioning checklist

The following brief checklist allows quick setup of the detector. This procedure will be adequate for most standard installations.

Before powering up the detector, visually check all cabling to ensure correct connection. If wire identification is not immediately clear (e.g. by use of different coloured wires or wire identification sleeves) an electrical check should be made.



Note: Any damage caused by misconnection of the detector is not covered by warranty.

Power up the unit and connect to a PC and set the address switches on the detector board (see section 7.1) and APIC board if applicable (see Section 7).

Verify that the time and date are correct (see section 4.2)

Set an appropriate alarm factor for the protected environment. The detector will perform a FastLearn for the new alarm factor. (see Section 4.6)

Whilst the detector is still in FastLearn mode set the detector into demonstration mode (see Section 4.11). NB: Aerosol-type synthetic smoke sources should not be used to test the response of the detector as these may leave acidic residues which could cause damage to the unit.

Wait for the FastLearn to finish and the flashing OK LED indicator will finish and perform any necessary smoke tests, ensuring that the detector reacts appropriately, and let the smoke fully dissipate.

Perform another FastLearn, this time not putting the detector into demonstration mode. The detector will generate no alarms during the 15 minute FastLearn period, and after this the detector will operate at a reduced sensitivity for 24 hours whilst ClassiFire acclimatises to the protected environment and sets up appropriate day and night sensitivity settings.

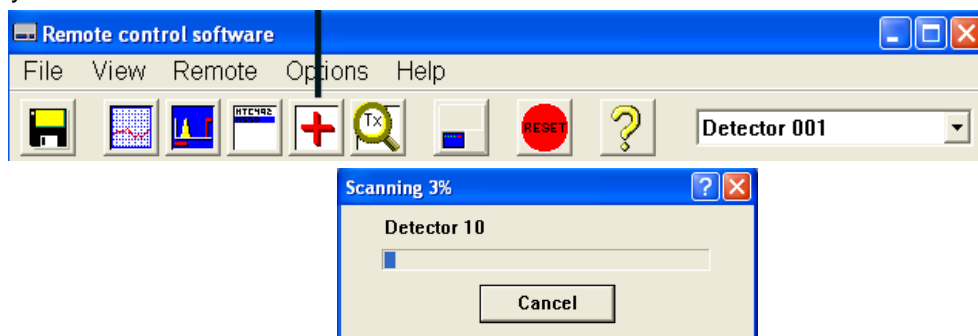
11 Maintenance

FastSense 25 is a very low maintenance detection system. If required, external cleaning of the unit should be performed using a damp (not wet) cloth. Do not use solvents as these may mar the front panel label. The only part that may require field replacement during servicing is the dust separator assembly. The dust separator condition can be checked using the Dust Separator test in the Miscellaneous tab of the remote software 'Detector settings' screen (see Section 3) which gives a percentage reading of dust separator efficiency. When this level drops to 80% the detector will signal a fault and the dust separator will need replacing. To replace the filter, simply remove the front cover and pull the filter out from the main unit. Slide the replacement filter in so that the 'Direction of flow' arrow printed on the carton duplicates that on the 'Direction of flow' label beside the filter slot.

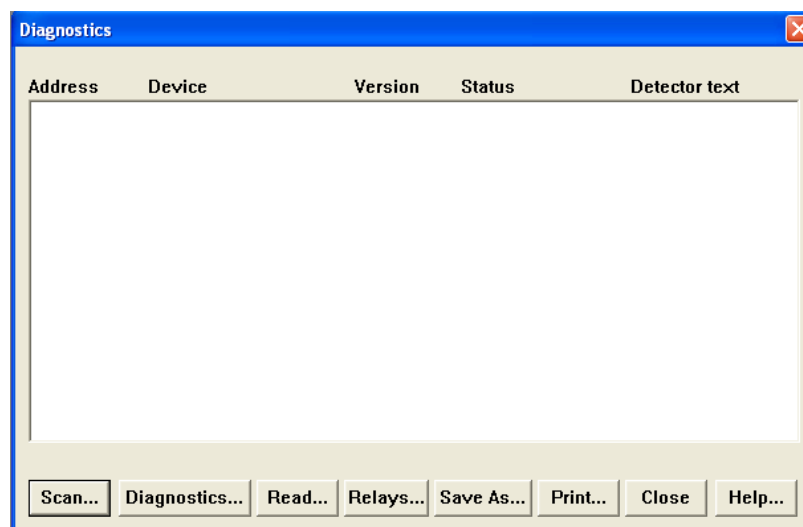
As dust contained in the dust separators may expose maintenance personnel to a 'Nuisance Dust' hazard as defined by the 'Control of Substances Hazardous to Health' (COSHH), it is strongly recommended that suitable masks and protective clothing be worn when changing filters. Used separators are not intended for re-use and should be disposed of.

11.1 Diagnostics

The remote control software includes a diagnostic function which carries out a number of checks to verify the correct functioning of the detector. A good time to run these tests is as a part of planned maintenance. To call up diagnostic mode, select the menu options "View > Diagnostics" or click on the symbol indicated below.



The software will then scan the loop for up to 127 detectors. For a single detector, wait until the first detector has been identified and the window indicates that it is scanning for Detector 2, then press the Cancel button. The following window appears:



Click on the list entry to highlight it and click on the "Diagnostics..." button. The software will then commence the system tests. During the "Aspirator and flow" test, the detector fan will suddenly slow down, but this is a normal part of the test and no cause for alarm.

If any problems were found during the diagnostic tests, the nature of the fault will be indicated in the "Status" column.

Scan: Reads in the status of all connected detectors.

Read Button: This brings up a display of the detector output and flow rate which updates in real time.



Relays: Brings up a screen allowing the function of the volt-free 'Fire' and Fault LED's to be tested with the aid of a continuity meter or other tester. The Fire relay contacts are open in normal operation and will close on test. The Fault relay contacts operate on a 'Fail-safe' basis and are held closed in normal operation. They will therefore open on test.

Save As: Saves the summary list of scanned detectors and their status as a text (.txt) file.

Print: Prints the summary list to a connected printer.

12 Optional Extras

12.1 Addressable Protocol Interface Card (APIC's)

General

An Addressable Protocol Interface Card (APIC) can be fitted to a FastSense detector to decode detector information and relay it to and from an FACP. That is to say an APIC can be used as a single loop interface unit, or when used with a command module one APIC can be used to communicate data to and from up to 126 FastSense units (via the one APIC module.)

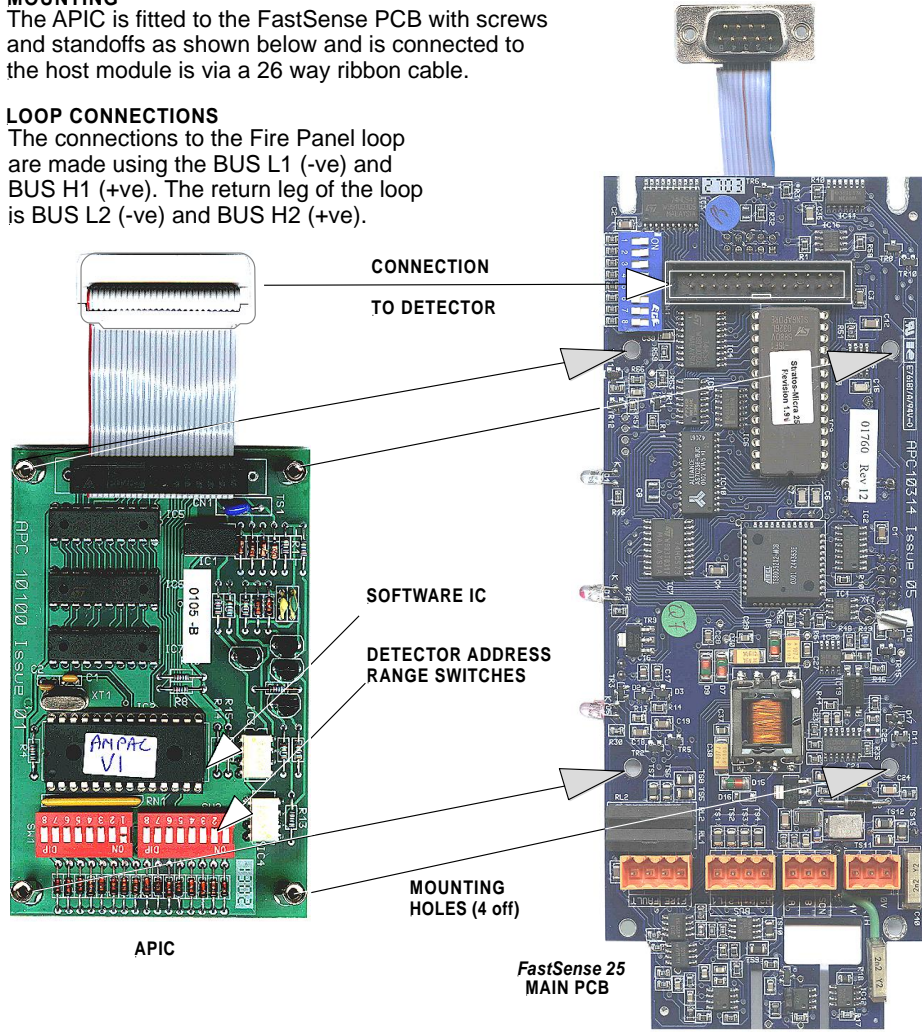
If a FastSense unit is fitted to a command module the loop is connected to the BUS connections on the command module.

MOUNTING

The APIC is fitted to the FastSense PCB with screws and standoffs as shown below and is connected to the host module via a 26 way ribbon cable.

LOOP CONNECTIONS

The connections to the Fire Panel loop are made using the BUS L1 (-ve) and BUS H1 (+ve). The return leg of the loop is BUS L2 (-ve) and BUS H2 (+ve).



Note: Detectors and Command Modules can be supplied with APIC cards fitted if requested. Please specify the communications protocol required on the order.

When first ordering APIC cards, it is advisable to check with Ampac that an APIC with the required communication protocol is available before ordering.

Address settings

There are two address switches on the APIC, SW1 and 2.

If only a single loop address is required, both switches are set to the same address, e.g if the sensor address is 4 then both SW1 and SW2 are both set to address 4.

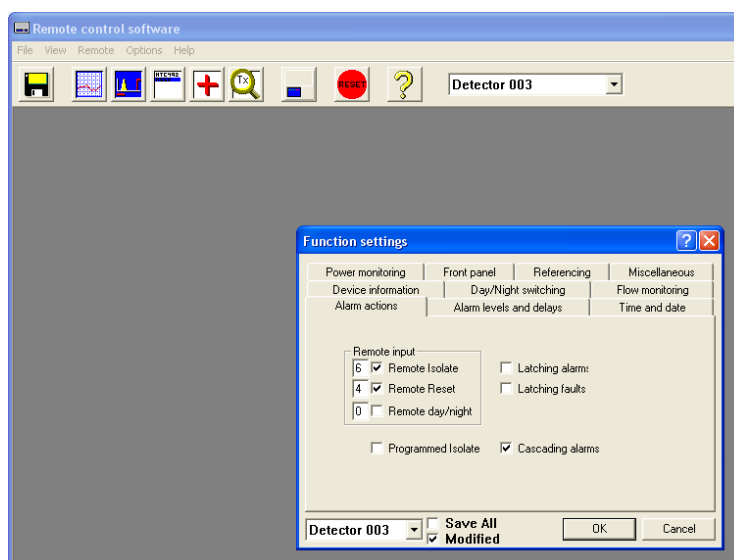
When used on a command module if multiple FastSense units are required to communicate with the FACP then the address switches on the APIC must be set to match the desired range of addresses.

If an APIC is monitoring 4 FastSense units the APIC start and finish addresses must match the required loop addresses and the FastSense units must also correspond to the same addresses.

Example 1

There are 4 detectors fitted to an addressable loop. The next device on the loop is an APIC connected to a single FastSense unit. The APIC address switches are both set to 5.

On the FastSense unit the Alarm actions boxes must be set as shown below.



Example 2

There are 7 detectors fitted to an addressable loop. The next device on the loop is an APIC connected to a command module which has a SenseNET communications loop fitted with 5 FastSense units connected. The first APIC address (SW1) switch is set 8 and the second address switch (SW2) is set to address 12.

The FastSense units do not require any inputs selected in the alarm option boxes.

NB: The detector address on the SenseNET loop and the Fire Panel addressable protocol address are the same, i.e. no address translation is performed. Some protocols may not support all the available alarm levels and fault reporting is usually a general fault with no detailed fault information.

When an APIC is fitted the following inputs must be assigned to remote isolate and reset;



Note: The setting is dependent on the **FastSense** unit software

Versions lower than V2.1

Remote isolate is input 6

Remote reset is input 4

Versions higher than V2.1

Remote isolate is input 3

Remote reset is input 1

No further action is required by the FireFinder programmer as the software automatically assigns

these outputs in the application software.

When an APIC is connected to a FireFinder and the classifier override is required then the remote day night box must be ticked and the number 5 placed in the corresponding box. In addition to this the classifier override percentage must be set to 101 or greater. This sets the percentage that is added to the detector when it is required to de-sensitise the detector.

The Classifier Override feature must be programmed into the FireFinder using a function in order for this feature to work.

Reporting to FireFinder.

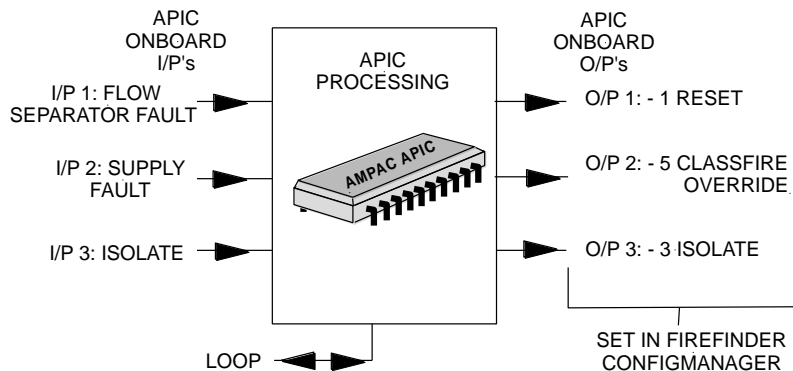
Fastsense Plus will report the following to **FireFinder**.

Status	Count
Fault	4
Normal	16
Aux alarm	32
Pre-Alarm	48
Fire 1	64
Fire 2	127

Bit	Use
Flow/separator fault 1	1
Mains/battery fault	2
Detector Isolated	3

The three output bits from the fire panel are monitored as inputs 1 to 3 or 4 to 6 depending upon the detector type as follows:

It is possible to reset, isolate and activate **Classfire** Override (Remote Day / Night settings in ConfigManager) on the **Fastsense Plus** from the **FireFinder**



12.2 Extended Addressable Protocol Interface Card (APIC's)

The Extended APIC card plugs into the connector on the main PCB in the same way as the standard card.

Differences from the Standard Apollo APIC

The standard APIC is set in ConfigManager to work on all Ampac FireFinder FACPs.

Single address and multi address modes

The APIC has two distinct modes of operation; single address and multi address. When the interface is set to single address mode the card is set to a single address on the loop and the detector status is read from that address. Multi address mode is used when monitoring the status of multiple detectors with consecutive addresses from a single card. Multi address mode is normally only used in the Command Module.

Two DIP switches, SW1 and SW2, on the card enable the card to either respond as a single address, as it does in a detector, or a range of addresses, which is the way it is set up in the Command Module.

To set up an card in a detector, which only requires a single address (single address mode), set both switches to the required address. This sets the card to single address mode.

When the card is mounted in a Command Module (multi-address mode) then SW1 is set to the first loop address and SW2 is set to the last loop address. As an example if you have detectors 3 to 5 monitored by the Command Module then SW1 is set to 3 and SW2 is set to 5.

Note that there is no address translation between the detector address on the SenseNET loop and the Apollo loop address; they are the same.

Interface Technical Details

Software (Firmware) Version 2.1 and above

FastSense PLUS

bit	use
1	input 4
2	input 5
3	input 6

FastSense 25 & 100

bit	use
1	input 1
2	input 2
3	input 3

So to use bit 1 to remotely reset the detector the remote reset function must be enabled and use input 4 on the FastSense PLUS or input 1 on the FastSense 25 & 100.

Loop connections (on main PCB)

Loop in + BUSH 1

Loop out + BUSH 2

Loop in - BUSL 1

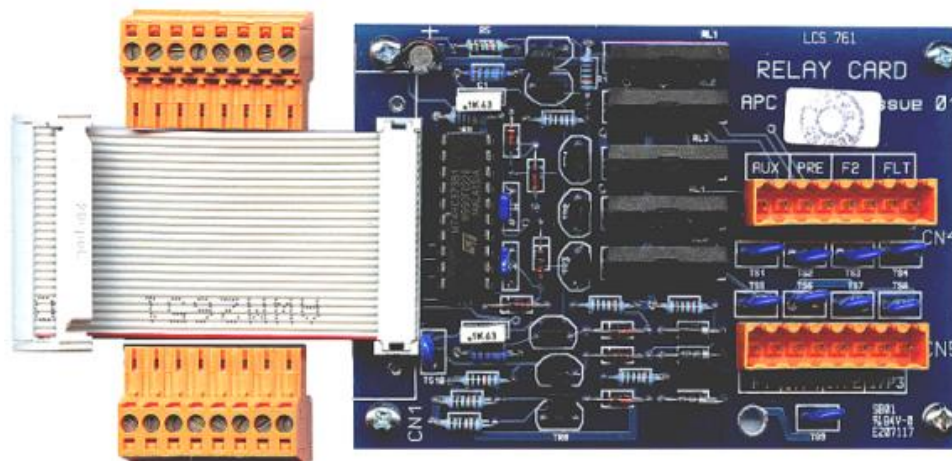
Loop out - BUSL 2

12.3 Input / Relay Card

The main use of this card is to provide three extra remote inputs, which can be used with ClassiFire override (see section 3.3.4), remote day / night switching (section 3.3.14), remote reset (section 3.3.15) remote isolate (section 3.3.16), battery monitoring (section 3.3.26) and mains power monitoring (section 3.3.27). It also provides additional relay outputs for the fire and fault relays.

The additional remote inputs are labeled "I/P 1", "I/P 2" and "I/P 3", but when assigning the terminals to a remote function, these are assigned remote input numbers 4, 5 and 6 respectively. ClassiFire® override will only function on remote inputs 3 or 6 (Input / Relay card "I/P 3").

As with the remote input terminals on the detector on the Command Module, the functions are activated by shorting the terminals together.



The card is fitted to the main detector PCB in the same way as APIC cards (see section 11.1), with the ribbon cable plugging into the ADDRESSABLE INTERFACE 26-way connector, and the mounting posts fitting into the holes on the PCB. Note that an Input / Relay card cannot therefore be used at the same time as an APIC card. Due to space constraints, an Input / Relay card cannot be fitted to the detector board on a Command Module detector, and the card has no current use on the Command Module.

The remote inputs are wired up to their activating switches from the card. For ease of installation, the terminal blocks can be removed from the card for wiring, and a separated terminal block is shown in the illustration. Note the orientation of the terminal blocks, as they will only fit easily into the card connectors one way round.

The terminals are in pairs labeled as follows:

AUX: Secondary auxiliary alarm relay terminals

PRE: Secondary pre-alarm alarm relay terminals

F2: Secondary Fire 2 alarm relay terminals

FLT: Secondary fault relay terminals

F1: Secondary AUX alarm relay terminals

I/P 1: Detector remote input 4

I/P 2: Detector remote input 5

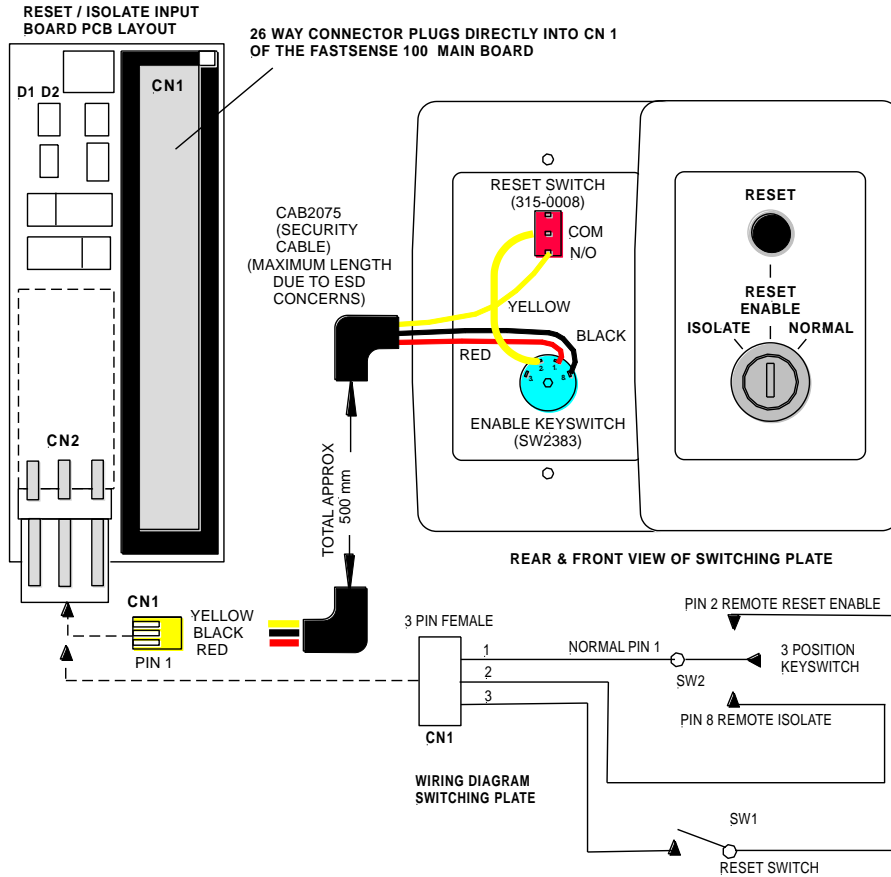
I/P 3: Detector remote input 6

Detectors can be supplied ready-fitted with input / relay cards if requested.

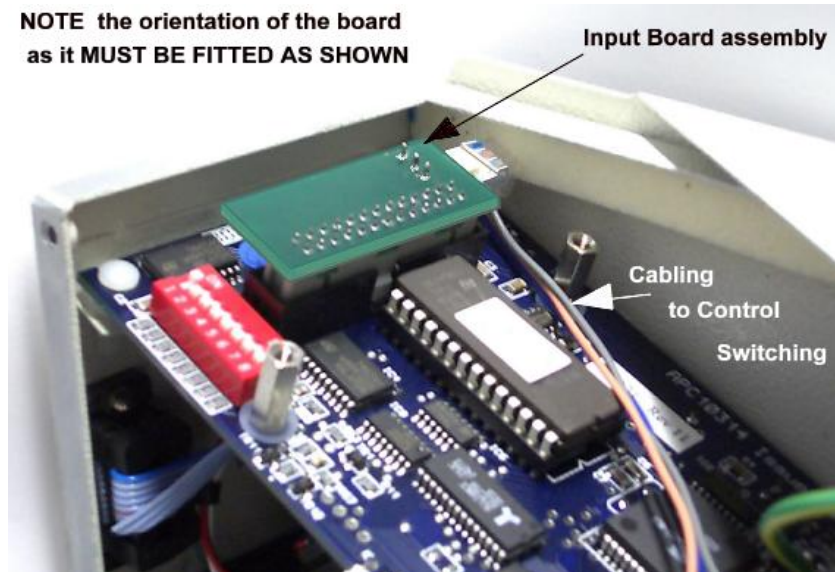
12.4 Reset / Isolate Input Board

The reset / isolate functions allow the detector to be locally reset, even if the output is set to latching, and isolated from alarm devices.

Reset / Isolate Input Board plugs directly into CN1 of the FastSense 25 main board as shown below. Cabling from the Input Board is then taken from CN2 to CN1 of the Reset / Isolate / Normal switching plate. Remote isolate and reset is achieved by pulling the inputs at CN1 19 and 20 respectively on the main board to 0V.



NOTE the orientation of the board as it **MUST BE FITTED AS SHOWN**



13 Trouble shooting

13.1 Nuisance alarms occur too often

- Check that the ClassiFire alarm factor setting is appropriate for the normal working environment of the protected area. (see Section 4.6)
- Check that the detector is not in Demonstration mode. This can be ascertained by viewing the event log (see Section 3) and checking that the entry Demo mode has a higher log entry number than the most recent FastLearn start and FastLearn end entries. Remember that the log entries are in reverse order, with the most recent entries appearing first.
- If the log shows that Demonstration mode was invoked during the last FastLearn period, start a new FastLearn and allow it to complete its 24-hour cycle. (see Section 4.8)
- From the event log (see Sections 9), check that 24 hours have elapsed since the last FastLearn end entry.
- Check that day-night switchover times are appropriately set to reflect active and non-active periods (see Section 4.12 and 4.13).

13.2 Elevated smoke levels do not generate alarms

- Check that detector is not Isolated or in FastLearn (if Isolated, the Fault light will be lit)
- Check that the detector sampling points are in the smoke stream
- Check that the correct ClassiFire alarm setting has been set (see Section 4.6)
- Check that the detector has either had a 24 hour learning period or that it has been placed in demonstration mode.

13.3 Low mean output

Check that the filter does not require changing (see Section 4.34) and that the air plenum chamber is clean. The chamber may become clogged when, for example, heavy building activity has occurred near the sampling pipes. If so, the chamber may require factory service. The detector is not designed to handle large quantities of coarse debris and dust.

13.4 Detector sensitivity varies over time

There are many reasons why particle densities may vary, and the ClassiFire system automatically compensates for this in order to replace the likelihood of nuisance alarms due to normal variations in background smoke density. Within limits set by the ClassiFire alarm factor, this is a normal part of the detector's working.

13.5 Flow fault errors

These occur when the airflow rate into the detector is outside the pre-programmed limits. As the detector 'learns' the flow setup from the initial installation, this usually means that there has been some change in conditions. A Flow high fault may indicate that a sampling pipe is damaged, and a Flow low fault may indicate that the pipe has been blocked, e.g. by nearby building operations.

If the detector input is sampled from one area and the exhaust is in another area with different pressure (e.g. the detector is in a roof space and sampling from an enclosed room), this may lead to flow faults. In this case it would be necessary to lead a pipe from the exhaust to the protected area to ensure normal flow. This will require the detector to be installed using the piped exhaust docking station (see section 7.1).

13.5.1 "Low flow" error messages.

Check that the pipe giving the error is not blocked

Check that the low flow fault threshold is not set too high (see Section 4.30)

13.5.2 "High flow" error messages

Check that the pipe is pushed home into the inlet and is not broken or cracked

Check that installed pipework is fitted with an endcap. PipeCalculator pipe modelling software prompts the use of appropriate end caps. Open bore pipes are not recommended.

Check that the high flow fault threshold is not set too low (see Section 4.29)

14 Do's and Don'ts

DO

Ensure that the **ClassiFire** alarm factor is appropriately set.

Ensure that cables are correctly connected before powering up by use of cable identifiers or electrical continuity checks. Incorrect connection could damage the detector.

Ensure that cable of an appropriate approved type is used for interconnection.

Place sampling points so that the detector will be able to detect smoke at the earliest opportunity.

Ensure that the detector exhaust is in an area with the same atmospheric pressure as the sampling pipes, either by placing the detector physically in the protected area or by leading a pipe from the detector exhaust to the protected area.

Ensure that the environment of the protected area is within the environmental operating parameters of the detector (temperature -10 to +60°C, (humidity 0- 95%, non-condensing).

DON'T

Forget to set the appropriate **ClassiFire** alarm factor for the area to be detected.

Forget to set the Detector Address Switches correctly when used in a network.

Site detectors in damp or exposed areas.

Remove or connect boards when the detector is powered up.

Connect internal 0 volt terminals to local earth.

Attempt to re-use dust separator cartridges once removed.

Attempt to adjust or alter detector settings other than via the user-programmable functions. In particular, the setting up of the laser is a precision task, and once set up the potentiometers should be left alone. If it is suspected that the laser alignment has shifted (e.g. after dropping the detector), it should be returned to Ampac for recalibration.


Place the detector near high power RF sources.

Operate the detector with the front cover removed, or with one or more of the cover fixing screws loose or missing.

Test the response of the detector using aerosol synthetic smoke.

15 FastSense25 specification

SELV rating (EN 60950)	Class III or AS/NZ S3260:93
Supply Voltage	21.6V - 26.4V DC
	PSU Type: conforming to EN 54-4
	AS4428 Part 5 or NZ4512 Electrical
	safety complies with BS EN 610190-1
Size (mm)	140W x 215H x 85D
Weight	1.7kg with docking station
Operating temperature range	-10 to +60°C
Operating humidity range	0 - 90% Non Condensing
	BS EN 61010-1 Pollution degree 1
	BS EN 61010-1 Installation Cat. II
Sensitivity range (%Obs/m)	Min = 25% Max = 0.03% FSD
Maximum sensitivity resolution	0.0015 % obs/m
Detection principle	Laser light scattering mass detection
Particle sensitivity range	0.0003µm to 10µm
Current consumption	250mA
Relay contact rating	500mA @ 30V
Maximum sampling pipe length	60 metres total
Sampling pipe inlets	1
Sampling pipe internal diameter	15-25mm
Alarm levels	4 (Fire 2, Fire 1, Pre-Alarm and Aux)
	1 relay as standard, others available
Chamber service intervals	Greater than 8 years (depending on environment)
Dust separator replacement intervals	Greater than 5 years (depending on environment)
Laser lifetime (MTTF)	Greater than 1000 years
Programming	PC via RS232/RS485
Data bus cable	RS485 data cable
Data bus length	1.2 km
IP rating	IP50

 **Note:** This equipment is only to be used in accordance with this specification. Failure to operate the equipment as specified may cause damage to the unit.

NOTES:

UNCONTROLLED DOCUMENT

NOTE: Due to AMPAC's commitment to continuous improvement specifications may change without notice.