

Agent Release Local Control Station

Item Number: 4310-0091, 4310-0092

Installation guide

Description

The Local Control Station (LCS) provides identical indication to the Agent Release Module located within the Fire Alarm Control Panel. The LCS incorporates a yellow manual release call point which is housed within the IP40 rated enclosure.

A 4-core cable incorporating data communications and 24Vdc power is required between the LCS and fire control alarm panel. Terminals are provided on the Agent Termination Board located within the fire alarm panel.

A monitored Interlock circuit is provided which can be used to determine if air conditioning dampers or doors are closed. This can be defaulted to the "ON" condition by terminating the input with a 2K2Ω EOL.

Item No
 4310-0091 – Surface Mount Local Control Station
 4310-0092 – Flush Mount Local Control Station

Installation

Observe anti-static precautions at all times

The LCS MUST be mounted in an area that is NOT subject to conditions likely to affect its performance, e.g. damp, salt-air, water ingress, extremes of temperature, abuse etc.

Fixing the Chassis to the Wall

Remove the lid by unscrewing the screws holding the control indication panel to the back box.

Carefully decide how the wiring will be brought into the panel then remove the required knock-outs in the back box for the cable glands.

The knock-outs should be removed with a sharp tap in the rim of the knock-out using a flat broad-bladed screwdriver. Use of excessive force could damage the enclosure around the knock-out.

Taking into account the weight of the LCS, securely fix the back box to the wall using suitably sized screws and wall plugs for the type of wall surface. (see figure 1 & 2)

Mounting is best achieved by positioning the box against the surface it is to be mounted to, marking the holes, taking the box well away from the surface and then drilling the holes.

Caution: Any dust or swarf created during the fixing process must be kept out of the cabinet and great care should be taken not to damage any wiring or components.

Connecting the LCS to the Agent Termination Board (see figure 3)

1. ISOLATE THE AGENT
2. Check the fire alarm control panel is functioning correctly, then power down.
3. Connect the LCS to the Agent Termination Board within the Fire Alarm Control Panel and Interlock as shown below. If applicable take into consideration warning signs at this point.
4. Insert the link LK1 onto the last LCS in the chain. If un-used place the link onto one of the LK1 pins.
5. Set the address of the LCS.
6. Re-assemble the control panel and surround
7. Power up the system and program the fire alarm control panel for the addition of the required number of Local Control Stations.
8. Check the fire alarm control panel is functioning correctly and test accordingly.
9. De-isolate the Agent

CAUTION: TO PREVENT ACCIDENTAL AGENT RELEASE DO NOT DE-ISOLATE THE AGENT UNDER ANY CIRCUMSTANCES UNTIL THE SYSTEM AS A WHOLE IS FUNCTIONING CORRECTLY.

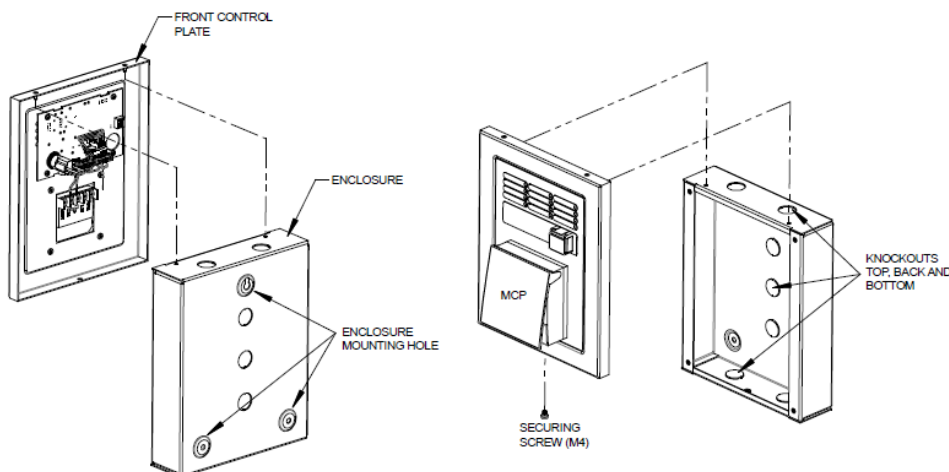


Figure 1: Surface Mount Local Control Station Layout, Assembly & Knockouts

Installation guide

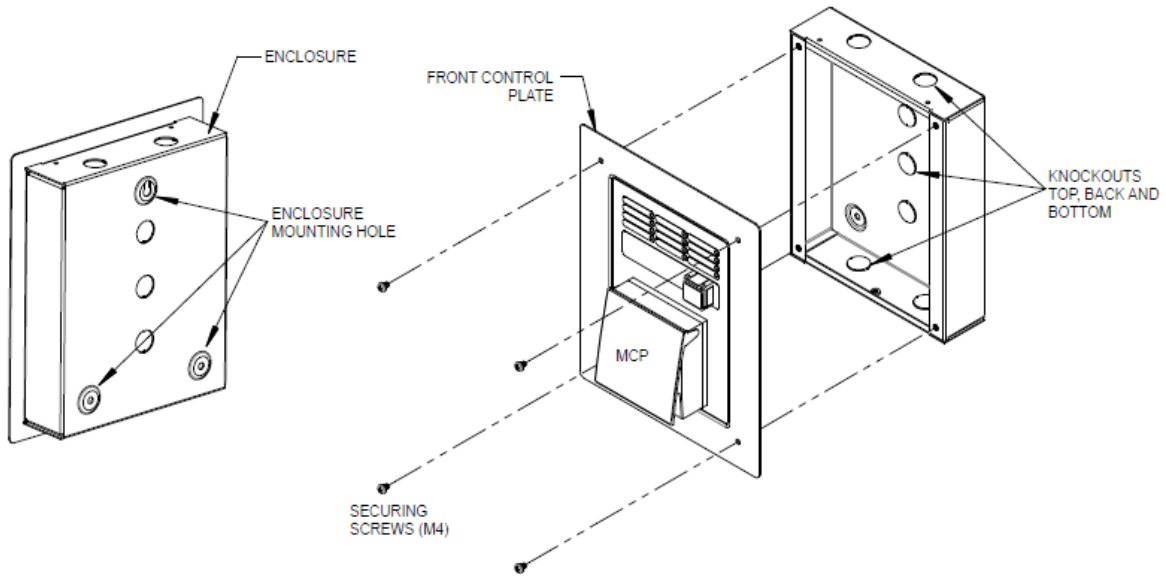


Figure 2: Flush Mount Local Control Station Layout, Assembly & Knockouts

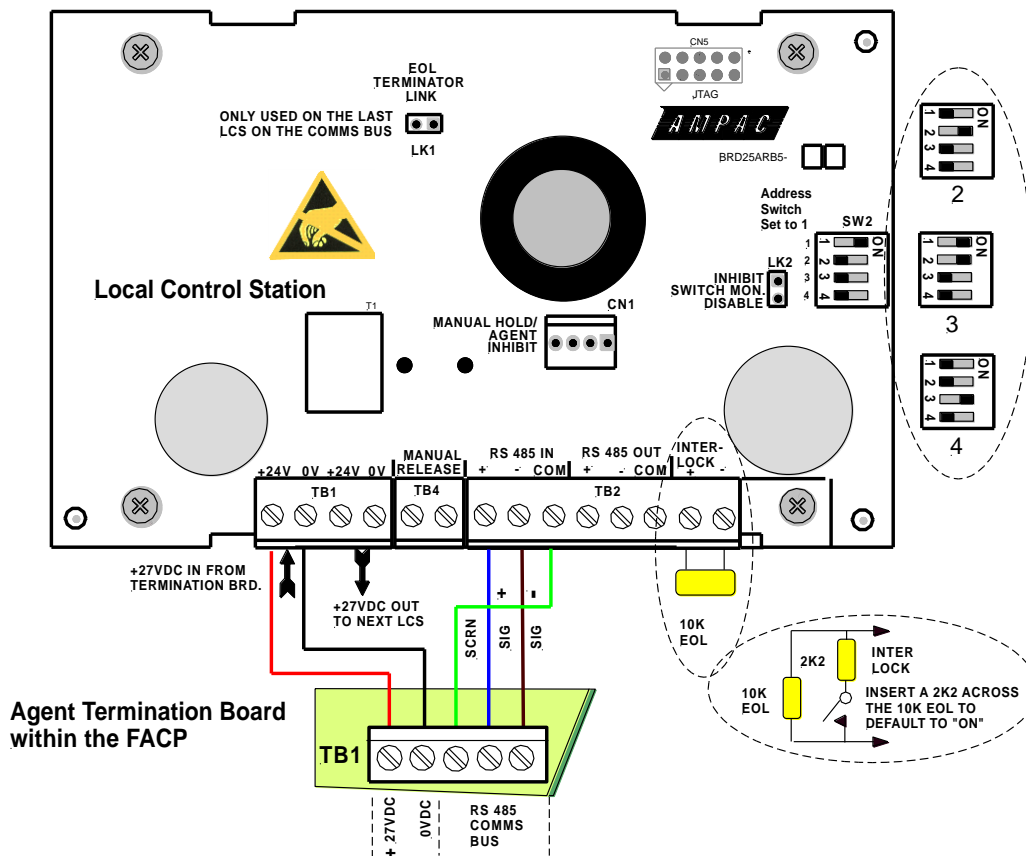


Figure 3: Local Control Station to Termination Board Connections

NOTE: To prevent accidental operation of the Inhibit switch and yellow manual release call point, protective lift up covers are provided with the LCS. To ensure correct operation and prevent accidental release of agent, switch covers should not be removed.



MAN1542-4

Agent Release Local Control Station

Item Number: 4310-0091, 4310-0092

Installation guide